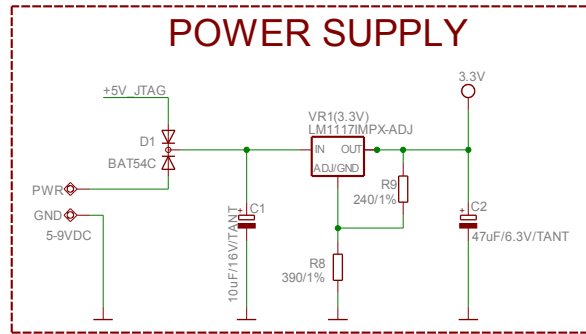
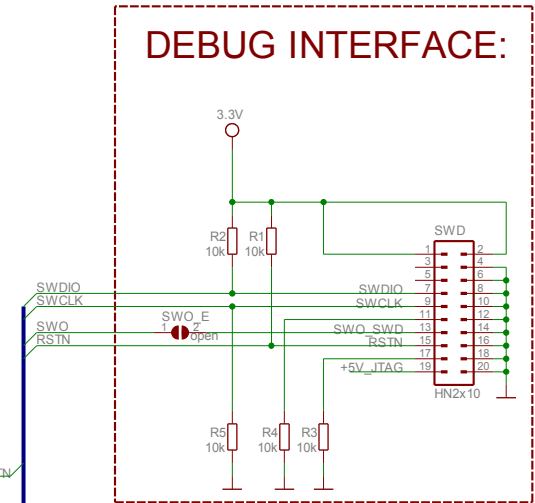


POWER SUPPLY



DEBUG INTERFACE:



LPC-H11A14

Rev. A

COPYRIGHT(C) 2011, OLIMEX LTD.

<http://www.olimex.com/dev>