

Doc. Number:

- Tentative Specification
- Preliminary Specification
- Approval Specification

MODEL NO.: N116BGE
SUFFIX: EA2 Rev. C3

| | |
|--|------------------|
| Customer: | |
| APPROVED BY | SIGNATURE |
| Name / Title _____ | _____ |
| Note : | |
| _____ | |
| Please return 1 copy for your confirmation with your signature and comments. | |

| Approved By | Checked By | Prepared By |
|-------------|------------|-------------|
| | | |

CONTENTS

| | |
|---|-----------|
| 1. GENERAL DESCRIPTION | 5 |
| 1.1 OVERVIEW | 5 |
| 1.2 GENERAL SPECIFICATIONS | 5 |
| 2. MECHANICAL SPECIFICATIONS | 5 |
| 2.1 CONNECTOR TYPE | 6 |
| 3. ABSOLUTE MAXIMUM RATINGS | 6 |
| 3.1 ABSOLUTE RATINGS OF ENVIRONMENT | 6 |
| 3.2 ELECTRICAL ABSOLUTE RATINGS | 7 |
| 3.2.1 TFT LCD MODULE | 7 |
| 4. ELECTRICAL SPECIFICATIONS..... | 8 |
| 4.1 FUNCTION BLOCK DIAGRAM..... | 8 |
| 4.2. INTERFACE CONNECTIONS | 8 |
| 4.3 ELECTRICAL CHARACTERISTICS..... | 10 |
| 4.3.1 LCD ELETRONICS SPECIFICATION..... | 10 |
| 4.3.2 LED CONVERTER SPECIFICATION..... | 12 |
| 4.3.3 BACKLIGHT UNIT..... | 14 |
| 4.4 DISPLAY PORT INPUT SIGNAL TIMING SPECIFICATIONS | 15 |
| 4.4.1 DISPLAY PORT INTERFACE | 15 |
| 4.4.2 COLOR DATA INPUT ASSIGNMENT | 16 |
| 4.5 DISPLAY TIMING SPECIFICATIONS | 17 |
| 4.6 POWER ON/OFF SEQUENCE | 18 |
| 5. OPTICAL CHARACTERISTICS | 21 |
| 5.1 TEST CONDITIONS..... | 21 |
| 5.2 OPTICAL SPECIFICATIONS | 21 |
| 6. RELIABILITY TEST ITEM | 24 |
| 7. PACKING..... | 25 |
| 7.1 MODULE LABEL | 25 |
| 7.2 CARTON | 26 |
| 7.3 PALLET..... | 27 |
| 7.4 UN-PACKAGING METHOD | 28 |
| 8. PRECAUTIONS | 29 |
| 8.1 HANDLING PRECAUTIONS..... | 29 |
| 8.2 STORAGE PRECAUTIONS | 29 |
| 8.3 OPERATION PRECAUTIONS..... | 29 |
| Appendix. EDID DATA STRUCTURE..... | 30 |
| Appendix. OUTLINE DRAWING | 33 |
| Appendix. SYSTEM COVER DESIGN NOTICE..... | 35 |

Appendix. LCD MODULE HANDLING MANUAL.....43

REVISION HISTORY

| Version | Date | Page | Description |
|---------|--------------|--------|--|
| 3.0(C1) | Oct. 4, 2013 | All | Approval Specification was first issued. |
| 3.1(C1) | Nov.21, 2013 | P19 | Modify 2D Drawing Model Label location |
| 3.2(C3) | Oct.15, 2014 | P5 | Remove MECHANICAL SPECIFICATIONS Polarizer Area Item |
| | | P33,34 | Modify OUTLINE DRAWING |
| | | | |
| | | | |
| | | | |

1. GENERAL DESCRIPTION

1.1 OVERVIEW

N116BGE-EA2 is a 11.6" (11.6" diagonal) TFT Liquid Crystal Display module with LED Backlight unit and 30 pins eDP interface. This module supports 1366 x 768 HD mode and can display 262,144 colors.

The optimum viewing angle is at 6 o'clock direction.

1.2 GENERAL SPECIFICATIONS

| Item | Specification | Unit | Note |
|-------------------|---|-------------------|------|
| Screen Size | 11.6 diagonal | | |
| Driver Element | a-si TFT active matrix | - | - |
| Pixel Number | 1366 x R.G.B. x 768 | pixel | - |
| Pixel Pitch | 0.1875 (H) x 0.1875 (V) | mm | - |
| Pixel Arrangement | RGB vertical stripe | - | - |
| Display Colors | 262,144 | color | - |
| Transmissive Mode | Normally white | - | - |
| Surface Treatment | Hard coating (3H), Anti-Glare | - | - |
| Color Gamma | 45% | NTSC | typ |
| Luminance, White | 220(typ.) | Cd/m ² | |
| Power Consumption | Total 2.646 W (Max.) @ cell 0.75W (Max.), BL 1.896 W (Max) | | (1) |

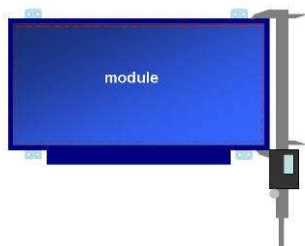
Note (1) The specified power consumption (with converter efficiency) is under the conditions at VCCS = 3.3 V, fv = 60 Hz, LED_VCCS = Typ, fPWM = 200 Hz, Duty=100% and Ta = 25 ± 2 °C, whereas mosaic pattern is displayed.

2. MECHANICAL SPECIFICATIONS

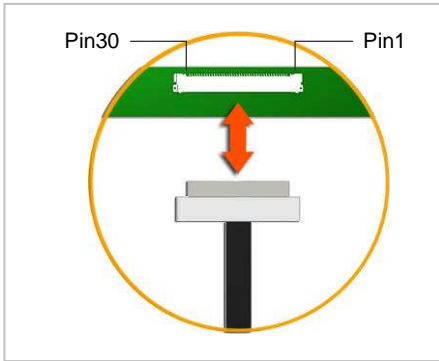
| Item | | Min. | Typ. | Max. | Unit | Note |
|-------------|------------------------------------|---------|---------|---------|------|------------|
| Module Size | Horizontal (H) | 267.5 | 268 | 268.5 | mm | (1) (2) |
| | Vertical (V) | 157 | 157.5 | 158 | mm | |
| | Vertical (V) with PCB & Bracket | 167.4 | 167.9 | 168.4 | mm | |
| | Thickness (T) | - | 2.85 | 3.0 | mm | |
| Active Area | Horizontal | 256.025 | 256.125 | 256.225 | mm | |
| | Vertical | 143.9 | 144 | 144.1 | mm | |
| Weight | | - | 200 | 210 | g | |

Note (1) Please refer to the attached drawings for more information of front and back outline dimensions.

Note (2) Dimensions are measured by caliper.



2.1 CONNECTOR TYPE



Please refer Appendix Outline Drawing for detail design.

Connector Part No.: IPEX-20455-030E-12

User's connector Part No: IPEX-20453-030T-03

3. ABSOLUTE MAXIMUM RATINGS

3.1 ABSOLUTE RATINGS OF ENVIRONMENT

| Item | Symbol | Value | | Unit | Note |
|-------------------------------|-----------------|-------|------|------|----------|
| | | Min. | Max. | | |
| Storage Temperature | T _{ST} | -20 | +60 | °C | (1) |
| Operating Ambient Temperature | T _{OP} | 0 | +50 | °C | (1), (2) |

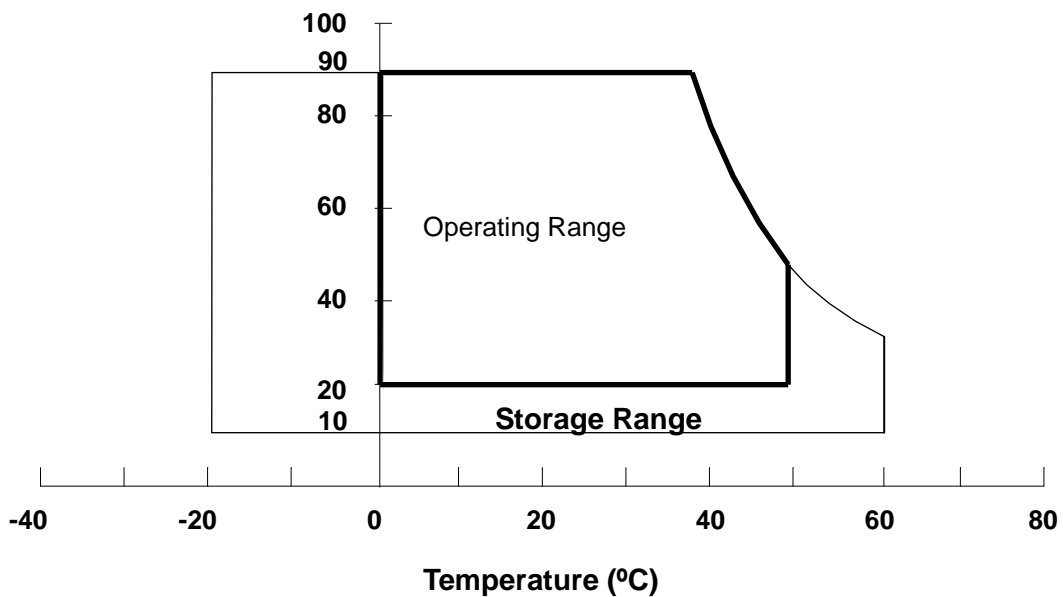
Note (1) (a) 90 %RH Max. (Ta < 40 °C).

(b) Wet-bulb temperature should be 39 °C Max. (Ta < 40 °C).

(c) No condensation.

Note (2) The temperature of panel surface should be 0 °C min. and 60 °C max.

Relative Humidity (%RH)



3.2 ELECTRICAL ABSOLUTE RATINGS

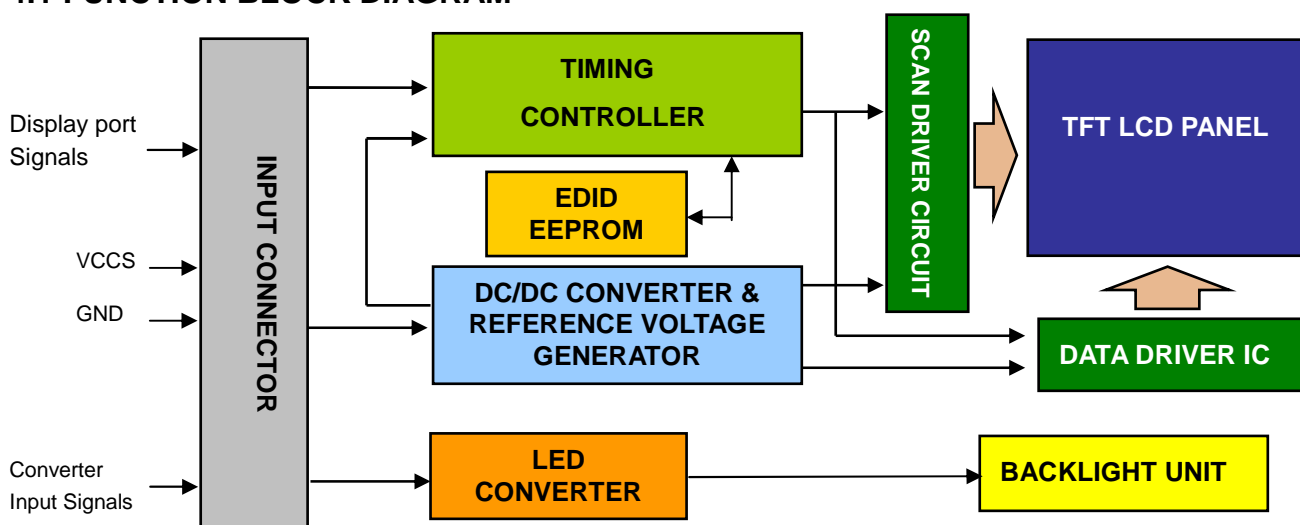
3.2.1 TFT LCD MODULE

| Item | Symbol | Value | | Unit | Note |
|----------------------------------|-----------------|-------|----------|------|------|
| | | Min. | Max. | | |
| Power Supply Voltage | VCCS | -0.3 | +4.0 | V | (1) |
| Logic Input Voltage | V _{IN} | -0.3 | VCCS+0.3 | V | |
| Converter Input Voltage | LED_VCCS | -0.3 | 26 | V | (1) |
| Converter Control Signal Voltage | LED_PWM, | -0.3 | 4 | V | 1) |
| Converter Control Signal Voltage | LED_EN | -0.3 | 4 | V | (1) |

Note (1) Stresses beyond those listed in above “ELECTRICAL ABSOLUTE RATINGS” may cause permanent damage to the device. Normal operation should be restricted to the conditions described in “ELECTRICAL CHARACTERISTICS”.

4. ELECTRICAL SPECIFICATIONS

4.1 FUNCTION BLOCK DIAGRAM



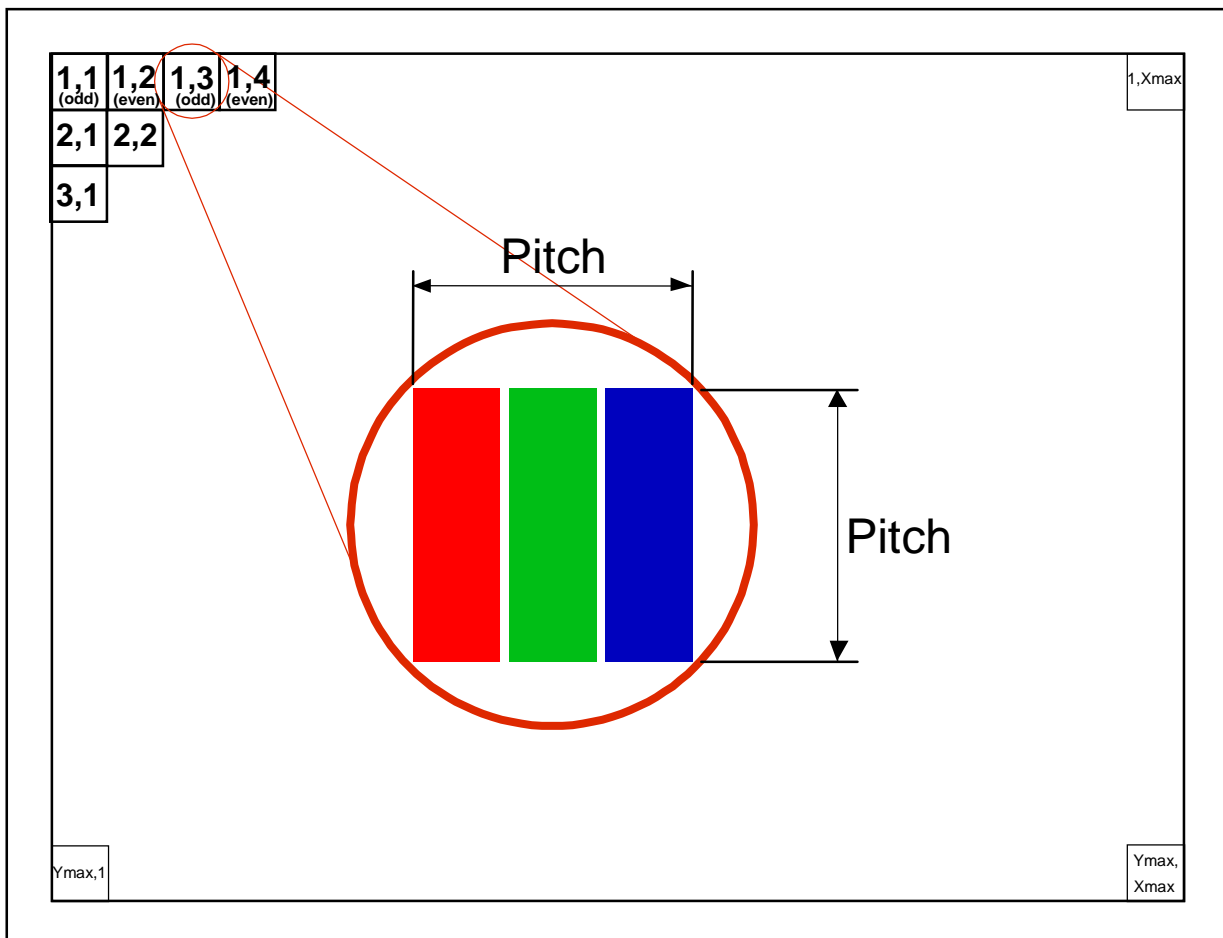
4.2. INTERFACE CONNECTIONS

PIN ASSIGNMENT

| Pin | Symbol | Description | Remark |
|-----|---------|---|--------|
| 1 | NC | No Connection (Reserved for LCD test) | |
| 2 | H_GND | High Speed Ground | |
| 3 | NC | No Connection (Reserved for LCD test) | |
| 4 | NC | No Connection (Reserved for LCD test) | |
| 5 | H_GND | High Speed Ground | |
| 6 | ML0- | Complement Signal-Lane 0 | |
| 7 | ML0+ | True Signal-Main Lane 0 | |
| 8 | H_GND | High Speed Ground | |
| 9 | AUX+ | True Signal-Auxiliary Channel | |
| 10 | AUX- | Complement Signal-Auxiliary Channel | |
| 11 | H_GND | High Speed Ground | |
| 12 | VCCS | Power Supply +3.3 V (typical) | |
| 13 | VCCS | Power Supply +3.3 V (typical) | |
| 14 | NC | No Connection (Reserved for LCD test) | |
| 15 | GND | Ground | |
| 16 | GND | Ground | |
| 17 | HPD | Hot Plug Detect | |
| 18 | BL_GND | BL Ground | |
| 19 | BL_GND | BL Ground | |
| 20 | BL_GND | BL Ground | |
| 21 | BL_GND | BL Ground | |
| 22 | LED_EN | BL_Enable Signal of LED Converter | |
| 23 | LED_PWM | PWM Dimming Control Signal of LED Converter | |
| 24 | NC | No Connection (Reserved for LCD test) | |

| | | | |
|----|----------|---------------------------------------|--|
| 25 | NC | No Connection (Reserved for LCD test) | |
| 26 | LED_VCCS | BL Power | |
| 27 | LED_VCCS | BL Power | |
| 28 | LED_VCCS | BL Power | |
| 29 | LED_VCCS | BL Power | |
| 30 | NC | No Connection (Reserved for LCD test) | |

Note (1) The first pixel is odd as shown in the following figure.



4.3 ELECTRICAL CHARACTERISTICS

4.3.1 LCD ELETRONICS SPECIFICATION

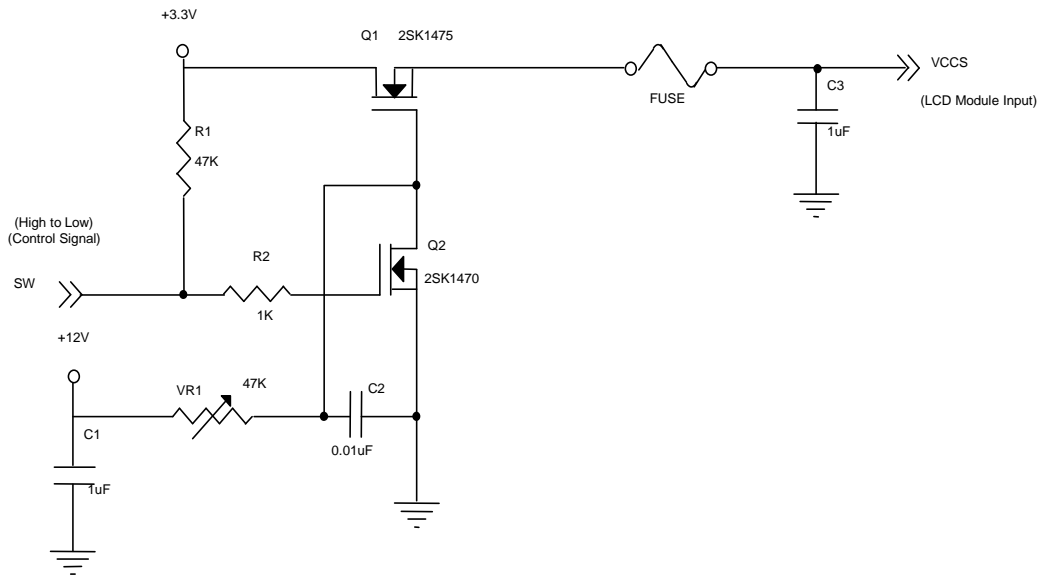
| Parameter | | Symbol | Value | | | Unit | Note |
|----------------------|------------|-------------------|-------|------|------|------|---------|
| | | | Min. | Typ. | Max. | | |
| Power Supply Voltage | | VCCS | 3.0 | 3.3 | 3.6 | V | (1)- |
| HPD | High Level | - | 2.25 | - | 2.75 | V | |
| | Low Level | - | 0 | - | 0.4 | V | |
| Ripple Voltage | | V _{RP} | - | 50 | - | mV | (1)- |
| Inrush Current | | I _{RUSH} | - | - | 1.5 | A | (1),(2) |
| Power Supply Current | Mosaic | I _{CC} | - | 203 | 225 | mA | (3)a |
| | Black | | - | 220 | 247 | mA | (3) |

Note (1) The ambient temperature is $T_a = 25 \pm 2 \text{ }^\circ\text{C}$.

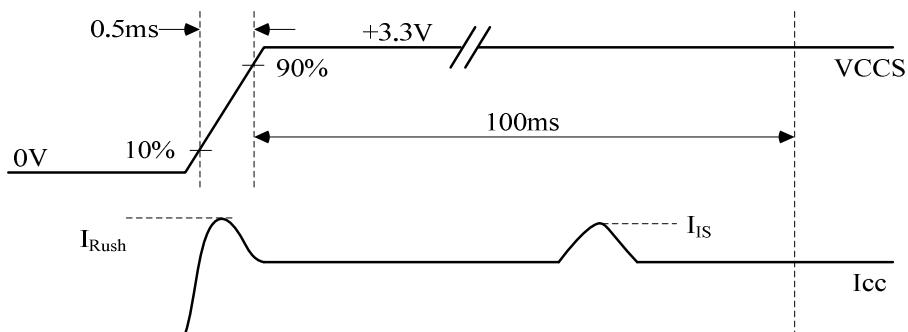
Note (2) I_{RUSH}: the maximum current when VCCS is rising

I_{IS}: the maximum current of the first 100ms after power-on

Measurement Conditions: Shown as the following figure. Test pattern: black.

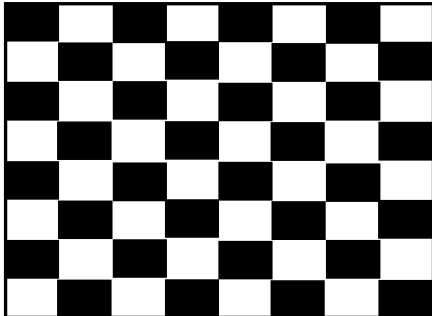


VCCS rising time is 0.5ms



Note (3) The specified power supply current is under the conditions at $V_{CCS} = 3.3\text{ V}$, $T_a = 25 \pm 2\text{ }^\circ\text{C}$, DC Current and $f_v = 60\text{ Hz}$, whereas a specified power dissipation check pattern is displayed

a. Mosaic Pattern

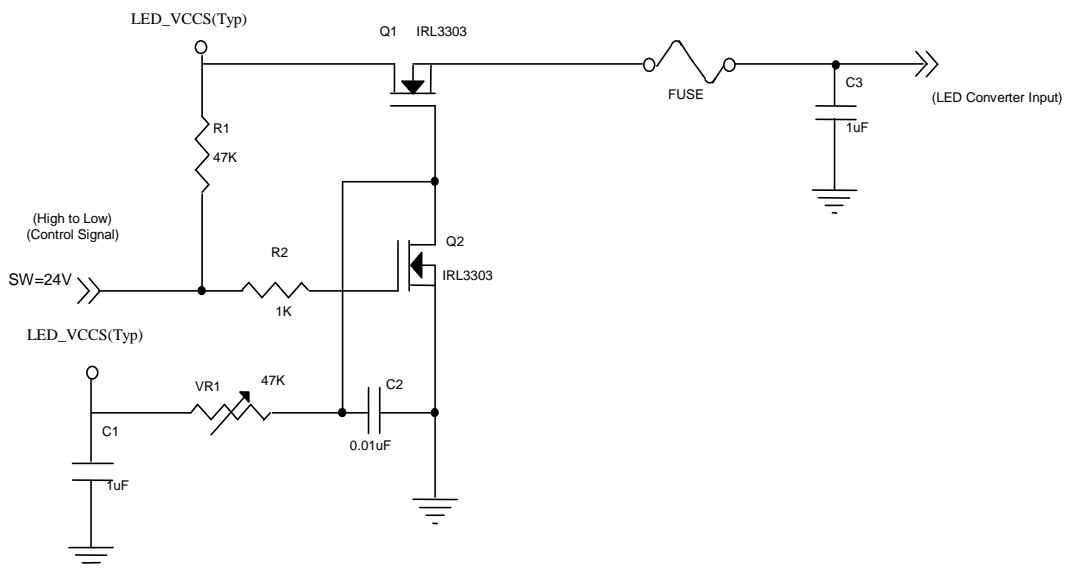


Active Area

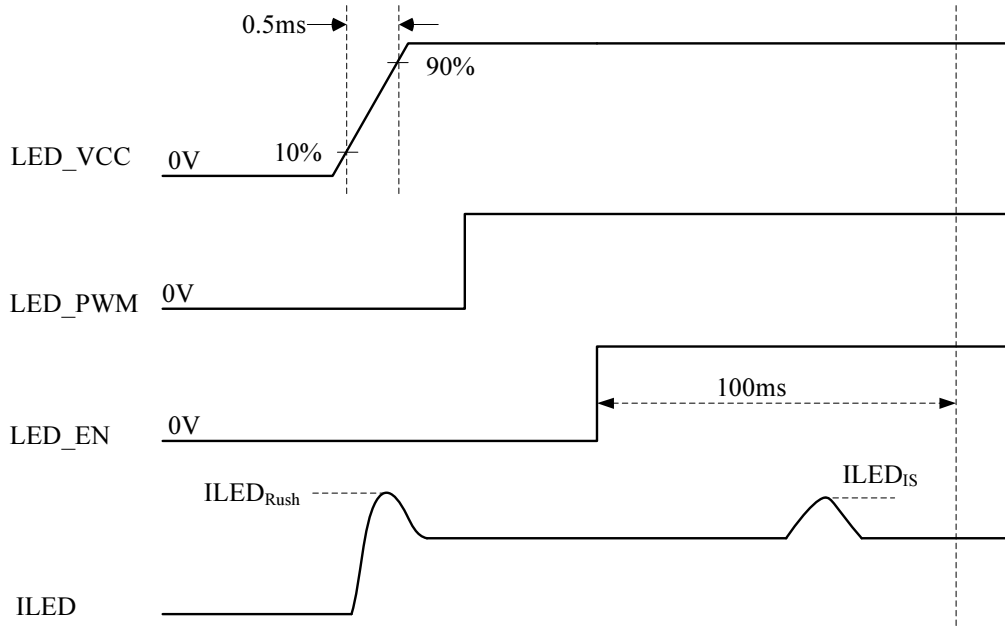
4.3.2 LED CONVERTER SPECIFICATION

| Parameter | Symbol | Value | | | Unit | Note | |
|--|---------------------------------|------------------|------|------|------|------|-----|
| | | Min. | Typ. | Max. | | | |
| Converter Input power supply voltage | LED_Vccs | 5 | 12 | 21 | V | | |
| Converter Inrush Current | I _{LED_{RUSH}} | - | - | 1.5 | A | (1) | |
| EN Control Level | Backlight On | 2.3 | - | 3.6 | V | | |
| | Backlight Off | 0 | - | 0.6 | V | | |
| PWM Control Level | PWM High Level | 2.2 | - | 3.6 | V | | |
| | PWM Low Level | 0 | - | 0.6 | V | | |
| PWM Control Duty Ratio | | 5 | - | 100 | % | | |
| PWM Control Permissible Ripple Voltage | V _{PWM_pp} | - | - | 100 | mV | | |
| PWM Control Frequency | f _{PWM} | 190 | - | 2K | Hz | (2) | |
| LED Power Current | LED_VCCS =Typ. | I _{LED} | 110 | 136 | 158 | mA | (3) |

Note (1) I_{LED_{RUSH}}: the maximum current when LED_VCCS is rising,
I_{LED_S}: the maximum current of the first 100ms after power-on,
Measurement Conditions: Shown as the following figure. LED_VCCS = Typ, Ta = 25 ± 2 °C, f_{PWM} = 200 Hz, Duty=100%.



VLED rising time is 0.5ms



Note (2) If PWM control frequency is applied in the range less than 1KHz, the “waterfall” phenomenon on the screen may be found. To avoid the issue, it’s a suggestion that PWM control frequency should follow the criterion as below.

PWM control frequency f_{PWM} should be in the range

$$(N + 0.33) * f \leq f_{PWM} \leq (N + 0.66) * f$$

N : Integer ($N \geq 3$)

f : Frame rate

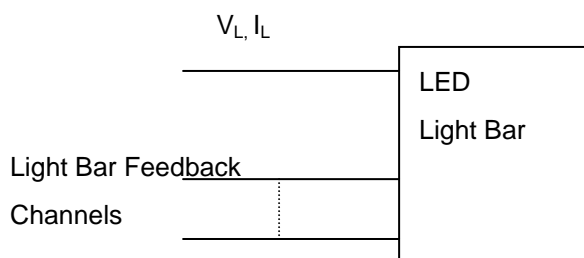
Note (3) The specified LED power supply current is under the conditions at “LED_VCCS = Typ.”, $T_a = 25 \pm 2 \text{ }^\circ\text{C}$, $f_{PWM} = 200 \text{ Hz}$, Duty=100%.

4.3.3 BACKLIGHT UNIT

Ta = 25 ± 2 °C

| Parameter | Symbol | Value | | | Unit | Note |
|------------------------------------|-----------------|-------|------|------|------|------------------|
| | | Min. | Typ. | Max. | | |
| LED Light Bar Power Supply Voltage | V _L | 26 | 29 | 30 | V | (1)(2)(Duty100%) |
| LED Light Bar Power Supply Current | I _L | -- | 47 | -- | mA | |
| Power Consumption | PL | -- | 1.36 | 1.41 | W | (3) |
| LED Life Time | L _{BL} | 15000 | - | - | Hrs | (4) |

Note (1) LED current is measured by utilizing a high frequency current meter as shown below :



Note (2) For better LED light bar driving quality, it is recommended to utilize the adaptive boost converter with current balancing function to drive LED light-bar.

Note (3) PL = I_L × V_L (Without LED converter transfer efficiency)

Note (4) The lifetime of LED is defined as the time when it continues to operate under the conditions at Ta = 25 ± 2 °C and I_L = 23.5 (Per EA) until the brightness becomes ≤ 50% of its original value.

4.4 DISPLAY PORT INPUT SIGNAL TIMING SPECIFICATIONS

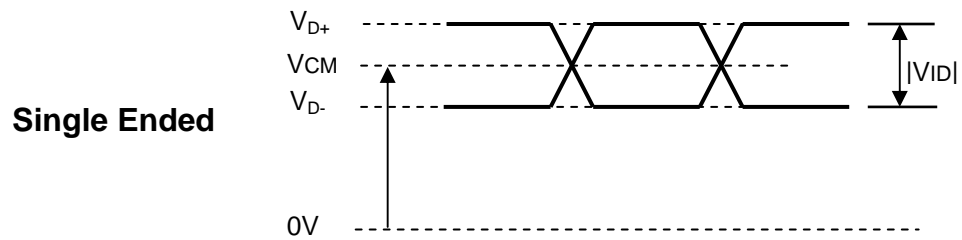
4.4.1 DISPLAY PORT INTERFACE

| Parameter | Symbol | Min. | Typ. | Max. | Unit | Notes |
|---|------------------|------|------|------|------|--------|
| Differential Signal Common Mode Voltage(MainLink and AUX) | VCM | 0 | | 2 | V | (1)(3) |
| AUX AC Coupling Capacitor | C _{AUX} | 75 | | 200 | nF | (2) |

Note (1)Display port interface related AC coupled signals should follow VESA DisplayPort Standard Version1. Revision 1a and VESA Embedded DisplayPort™ Standard Version 1.2. There are many optional items described in eDP1.2. If some optional item is requested, please contact us.

(2)The AUX AC Coupling Capacitor should be placed on Source Devices.

(3)The source device should pass the test criteria described in DisplayPortCompliance Test Specification (CTS) 1.1



4.4.2 COLOR DATA INPUT ASSIGNMENT

The brightness of each primary color (red, green and blue) is based on the 6-bit gray scale data input for the color. The higher the binary input the brighter the color. The table below provides the assignment of color versus data input.

| Color | | Data Signal | | | | | | | | | | | | | | | | | |
|---------------------|---------------|-------------|----|----|----|----|----|-------|----|----|----|----|----|------|----|----|----|----|----|
| | | Red | | | | | | Green | | | | | | Blue | | | | | |
| | | R5 | R4 | R3 | R2 | R1 | R0 | G5 | G4 | G3 | G2 | G1 | G0 | B5 | B4 | B3 | B2 | B1 | B0 |
| Basic Colors | Black | 0 | 0 | 0 | 0 | 0 | 0 | 0 | 0 | 0 | 0 | 0 | 0 | 0 | 0 | 0 | 0 | 0 | 0 |
| | Red | 1 | 1 | 1 | 1 | 1 | 1 | 0 | 0 | 0 | 0 | 0 | 0 | 0 | 0 | 0 | 0 | 0 | 0 |
| | Green | 0 | 0 | 0 | 0 | 0 | 0 | 1 | 1 | 1 | 1 | 1 | 1 | 0 | 0 | 0 | 0 | 0 | 0 |
| | Blue | 0 | 0 | 0 | 0 | 0 | 0 | 0 | 0 | 0 | 0 | 0 | 0 | 1 | 1 | 1 | 1 | 1 | 1 |
| | Cyan | 0 | 0 | 0 | 0 | 0 | 0 | 1 | 1 | 1 | 1 | 1 | 1 | 1 | 1 | 1 | 1 | 1 | 1 |
| | Magenta | 1 | 1 | 1 | 1 | 1 | 1 | 0 | 0 | 0 | 0 | 0 | 0 | 1 | 1 | 1 | 1 | 1 | 1 |
| | Yellow | 1 | 1 | 1 | 1 | 1 | 1 | 1 | 1 | 1 | 1 | 1 | 1 | 0 | 0 | 0 | 0 | 0 | 0 |
| | White | 1 | 1 | 1 | 1 | 1 | 1 | 1 | 1 | 1 | 1 | 1 | 1 | 1 | 1 | 1 | 1 | 1 | 1 |
| Gray Scale Of Red | Red(0)/Dark | 0 | 0 | 0 | 0 | 0 | 0 | 0 | 0 | 0 | 0 | 0 | 0 | 0 | 0 | 0 | 0 | 0 | |
| | Red(1) | 0 | 0 | 0 | 0 | 0 | 1 | 0 | 0 | 0 | 0 | 0 | 0 | 0 | 0 | 0 | 0 | 0 | |
| | Red(2) | 0 | 0 | 0 | 0 | 1 | 0 | 0 | 0 | 0 | 0 | 0 | 0 | 0 | 0 | 0 | 0 | 0 | |
| | : | : | : | : | : | : | : | : | : | : | : | : | : | : | : | : | : | : | |
| | : | : | : | : | : | : | : | : | : | : | : | : | : | : | : | : | : | : | |
| | Red(61) | 1 | 1 | 1 | 1 | 0 | 1 | 0 | 0 | 0 | 0 | 0 | 0 | 0 | 0 | 0 | 0 | 0 | |
| | Red(62) | 1 | 1 | 1 | 1 | 1 | 0 | 0 | 0 | 0 | 0 | 0 | 0 | 0 | 0 | 0 | 0 | 0 | |
| | Red(63) | 1 | 1 | 1 | 1 | 1 | 1 | 0 | 0 | 0 | 0 | 0 | 0 | 0 | 0 | 0 | 0 | 0 | |
| Gray Scale Of Green | Green(0)/Dark | 0 | 0 | 0 | 0 | 0 | 0 | 0 | 0 | 0 | 0 | 0 | 0 | 0 | 0 | 0 | 0 | 0 | |
| | Green(1) | 0 | 0 | 0 | 0 | 0 | 0 | 0 | 0 | 0 | 0 | 0 | 1 | 0 | 0 | 0 | 0 | 0 | |
| | Green(2) | 0 | 0 | 0 | 0 | 0 | 0 | 0 | 0 | 0 | 0 | 1 | 0 | 0 | 0 | 0 | 0 | 0 | |
| | : | : | : | : | : | : | : | : | : | : | : | : | : | : | : | : | : | : | |
| | : | : | : | : | : | : | : | : | : | : | : | : | : | : | : | : | : | : | |
| | Green(61) | 0 | 0 | 0 | 0 | 0 | 0 | 1 | 1 | 1 | 1 | 0 | 1 | 0 | 0 | 0 | 0 | 0 | |
| | Green(62) | 0 | 0 | 0 | 0 | 0 | 0 | 1 | 1 | 1 | 1 | 1 | 0 | 0 | 0 | 0 | 0 | 0 | |
| | Green(63) | 0 | 0 | 0 | 0 | 0 | 0 | 1 | 1 | 1 | 1 | 1 | 1 | 0 | 0 | 0 | 0 | 0 | |
| Gray Scale Of Blue | Blue(0)/Dark | 0 | 0 | 0 | 0 | 0 | 0 | 0 | 0 | 0 | 0 | 0 | 0 | 0 | 0 | 0 | 0 | 0 | |
| | Blue(1) | 0 | 0 | 0 | 0 | 0 | 0 | 0 | 0 | 0 | 0 | 0 | 0 | 0 | 0 | 0 | 0 | 1 | |
| | Blue(2) | 0 | 0 | 0 | 0 | 0 | 0 | 0 | 0 | 0 | 0 | 0 | 0 | 0 | 0 | 0 | 1 | 0 | |
| | : | : | : | : | : | : | : | : | : | : | : | : | : | : | : | : | : | : | |
| | : | : | : | : | : | : | : | : | : | : | : | : | : | : | : | : | : | : | |
| | Blue(61) | 0 | 0 | 0 | 0 | 0 | 0 | 0 | 0 | 0 | 0 | 0 | 0 | 1 | 1 | 1 | 1 | 0 | |
| | Blue(62) | 0 | 0 | 0 | 0 | 0 | 0 | 0 | 0 | 0 | 0 | 0 | 0 | 1 | 1 | 1 | 1 | 0 | |
| | Blue(63) | 0 | 0 | 0 | 0 | 0 | 0 | 0 | 0 | 0 | 0 | 0 | 0 | 1 | 1 | 1 | 1 | 1 | |

Note (1) 0: Low Level Voltage, 1: High Level Voltage

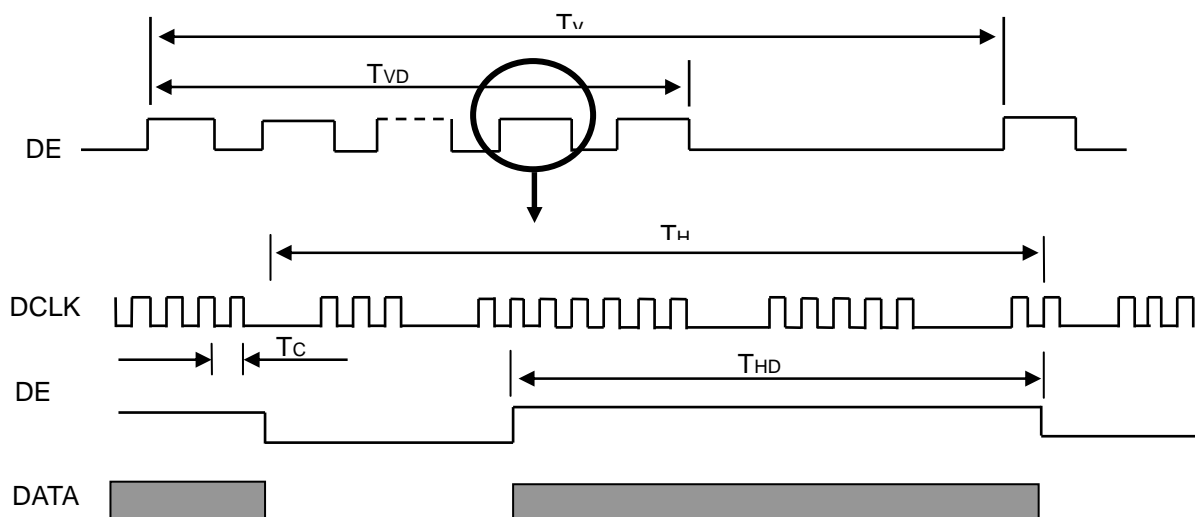
4.5 DISPLAY TIMING SPECIFICATIONS

The input signal timing specifications are shown as the following table and timing diagram.

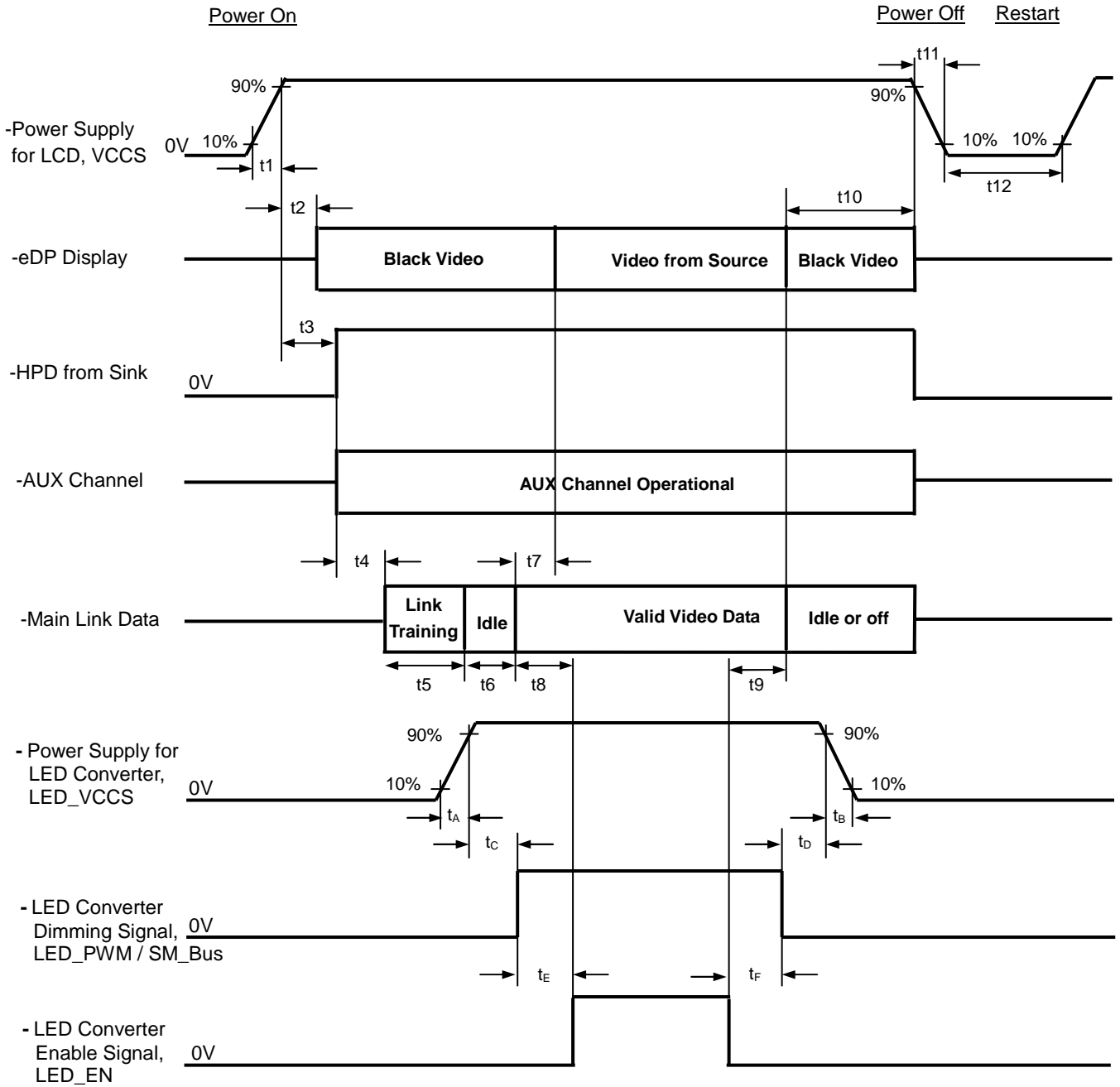
Refresh rate 60Hz

| Signal | Item | Symbol | Min. | Typ. | Max. | Unit | Note |
|--------|-----------------------------------|--------|--------|-------|--------|------|------|
| DCLK | Frequency | 1/Tc | 72.6 | 76.42 | 80.24 | MHz | - |
| DE | Vertical Total Time | TV | 788 | 800 | 868 | TH | - |
| | Vertical Active Display Period | TVD | 768 | 768 | 768 | TH | - |
| | Vertical Active Blanking Period | TVB | TV-TVD | 32 | TV-TVD | TH | - |
| | Horizontal Total Time | TH | 1506 | 1592 | 1716 | Tc | - |
| | Horizontal Active Display Period | THD | 1366 | 1366 | 1366 | Tc | - |
| | Horizontal Active Blanking Period | THB | TH-THD | 226 | TH-THD | Tc | - |

INPUT SIGNAL TIMING DIAGRAM



4.6 POWER ON/OFF SEQUENCE



Timing Specifications:

| Parameter | Description | Reqd. By | Value | | Unit | Notes |
|----------------|---|----------|-------|-----|------|--|
| | | | Min | Max | | |
| t1 | Power rail rise time, 10% to 90% | Source | 0.5 | 10 | ms | - |
| t2 | Delay from LCD,VCCS to black video generation | Sink | 0 | 200 | ms | Automatic Black Video generation prevents display noise until valid video data is received from the Source (see Notes:2 and 3 below) |
| t3 | Delay from LCD,VCCS to HPD high | Sink | 0 | 200 | ms | Sink AUX Channel must be operational upon HPD high (see Note:4 below) |
| t4 | Delay from HPD high to link training initialization | Source | - | - | ms | Allows for Source to read Link capability and initialize |
| t5 | Link training duration | Source | - | - | ms | Dependant on Source link training protocol |
| t6 | Link idle | Source | - | - | ms | Min Accounts for required BS-Idle pattern. Max allows for Source frame synchronization |
| t7 | Delay from valid video data from Source to video on display | Sink | 0 | 50 | ms | Max value allows for Sink to validate video data and timing. At the end of T7, Sink will indicate the detection of valid video data by setting the SINK_STATUS bit to logic 1 (DPCD 00205h, bit 0), and Sink will no longer generate automatic Black Video |
| t8 | Delay from valid video data from Source to backlight on | Source | - | - | ms | Source must assure display video is stable |
| t9 | Delay from backlight off to end of valid video data | Source | - | - | ms | Source must assure backlight is no longer illuminated. At the end of T9, Sink will indicate the detection of no valid video data by setting the SINK_STATUS bit to logic 0 (DPCD 00205h, bit 0), and Sink will automatically display Black Video. (See Notes: 2 and 3 below) |
| t10 | Delay from end of valid video data from Source to power off | Source | 0 | 500 | ms | Black video will be displayed after receiving idle or off signals from Source |
| t11 | VCCS power rail fall time, 90% to 10% | Source | 0.5 | 10 | ms | - |
| t12 | VCCS Power off time | Source | 500 | - | ms | - |
| t _A | LED power rail rise time, 10% to 90% | Source | 0.5 | 10 | ms | - |
| t _B | LED power rail fall time, 90% to 10% | Source | 0 | 10 | ms | - |

| | | | | | | |
|-------|--|--------|---|---|----|---|
| t_c | Delay from LED power rising to LED dimming signal | Source | 1 | - | ms | - |
| t_D | Delay from LED dimming signal to LED power falling | Source | 1 | - | ms | - |
| t_E | Delay from LED dimming signal to LED enable signal | Source | 1 | - | ms | - |
| t_F | Delay from LED enable signal to LED dimming signal | Source | 1 | - | ms | - |

Note (1) Please don't plug or unplug the interface cable when system is turned on.

Note (2) The Sink must include the ability to automatically generate Black Video autonomously. The Sink must automatically enable Black Video under the following conditions:

- Upon LCDVCC power-on (within T2 max)
- When the "NoVideoStream_Flag" (VB-ID Bit 3) is received from the Source (at the end of T9)

Note (3) The Sink may implement the ability to disable the automatic Black Video function, as described in Note (2), above, for system development and debugging purposes.

Note (4) The Sink must support AUX Channel polling by the Source immediately following LCDVCC power-on without causing damage to the Sink device (the Source can re-try if the Sink is not ready). The Sink must be able to response to an AUX Channel transaction with the time specified within T3 max.

5. OPTICAL CHARACTERISTICS

5.1 TEST CONDITIONS

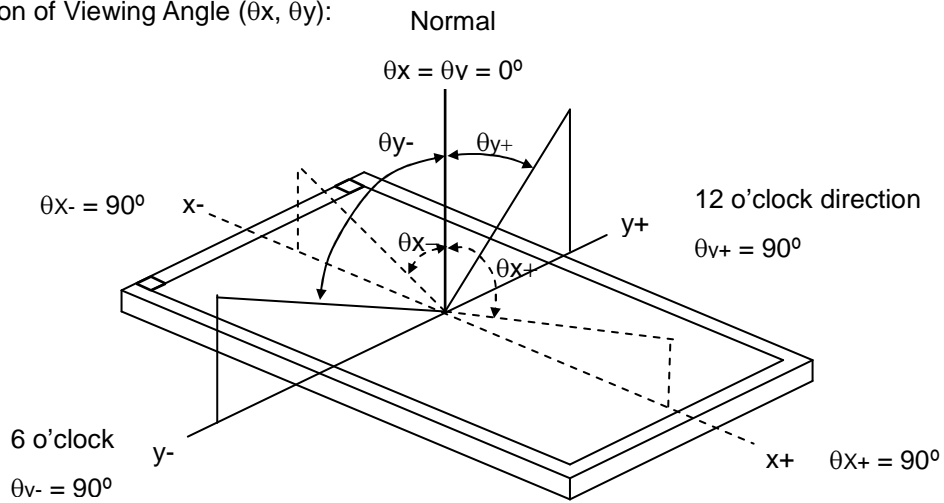
| Item | Symbol | Value | Unit |
|-----------------------------|---|-------|------|
| Ambient Temperature | T _a | 25±2 | °C |
| Ambient Humidity | H _a | 50±10 | %RH |
| Supply Voltage | V _{CC} | 3.3 | V |
| Input Signal | According to typical value in "3. ELECTRICAL CHARACTERISTICS" | | |
| LED Light Bar Input Current | I _L | 47 | mA |

The measurement methods of optical characteristics are shown in Section 5.2. The following items should be measured under the test conditions described in Section 5.1 and stable environment shown in Note (5).

5.2 OPTICAL SPECIFICATIONS

| Item | | Symbol | Condition | Min. | Typ. | Max. | Unit | Note | |
|----------------------------|------------|------------------|--|--|---------------|-------|-------------------|-----------------|---------|
| Contrast Ratio | | CR | $\theta_x=0^\circ, \theta_y=0^\circ$ Viewing Normal Angle | 350 | 500 | - | - | (2), (5),(7) | |
| Response Time | | T _R | | - | 3 | 8 | ms | (3),(7) | |
| | | T _F | | - | 7 | 12 | ms | | |
| Average Luminance of White | | L _{Ave} | | 190 | 220 | - | cd/m ² | (4), (6),(7) | |
| Color Chromaticity | Red | R _x | | $\theta_x=0^\circ, \theta_y=0^\circ$ Viewing Normal Angle | Typ - 0.03 | 0.570 | Typ + 0.03 | - | (1),(7) |
| | | R _y | | | | 0.333 | | - | |
| | Green | G _x | | | | 0.325 | | - | |
| | | G _y | | | | 0.582 | | - | |
| | Blue | B _x | | | | 0.160 | | - | |
| | | B _y | | | | 0.144 | | - | |
| | White | W _x | 0.313 | | | - | | | |
| | | W _y | 0.329 | | | - | | | |
| Viewing Angle | Horizontal | θ_{x+} | CR≥10 | 40 | 45 | - | Deg. | (1),(5), (7) | |
| | | θ_{x-} | | 40 | 45 | - | | | |
| | Vertical | θ_{y+} | | 15 | 20 | - | | | |
| | | θ_{y-} | | 40 | 45 | - | | | |
| White Variation | | δW_{5p} | $\theta_x=0^\circ, \theta_y=0^\circ$ | 80 | - | - | % | (5),(6), (7) | |
| | | δW_{13p} | $\theta_x=0^\circ, \theta_y=0^\circ$ | 67 | - | - | % | (7) | |

Note (1) Definition of Viewing Angle (θ_x, θ_y):



Note (2) Definition of Contrast Ratio (CR):

The contrast ratio can be calculated by the following expression.

$$\text{Contrast Ratio (CR)} = L_{63} / L_0$$

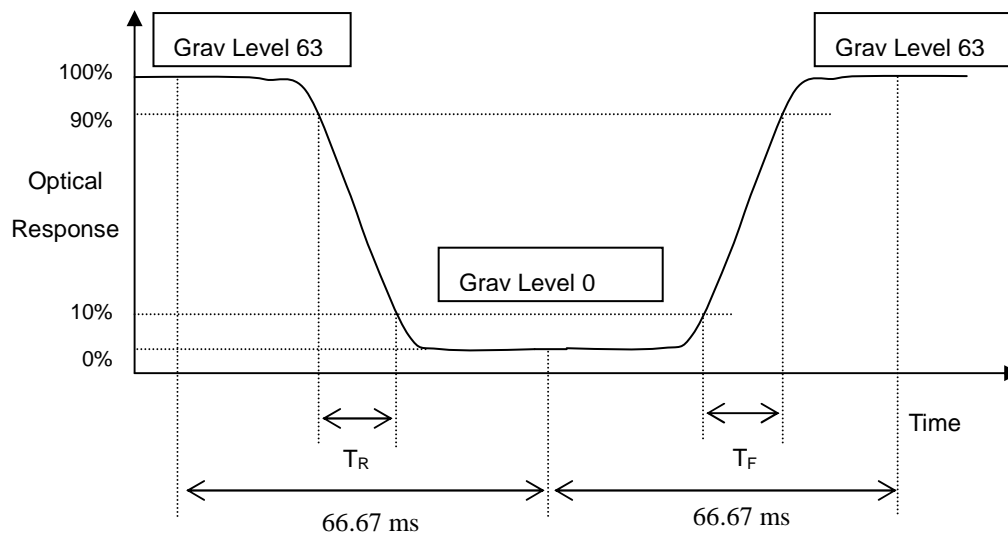
L63: Luminance of gray level 63

L 0: Luminance of gray level 0

$$\text{CR} = \text{CR} (1)$$

CR (X) is corresponding to the Contrast Ratio of the point X at Figure in Note (6).

Note (3) Definition of Response Time (T_R, T_F):



Note (4) Definition of Average Luminance of White (L_{AVE}):

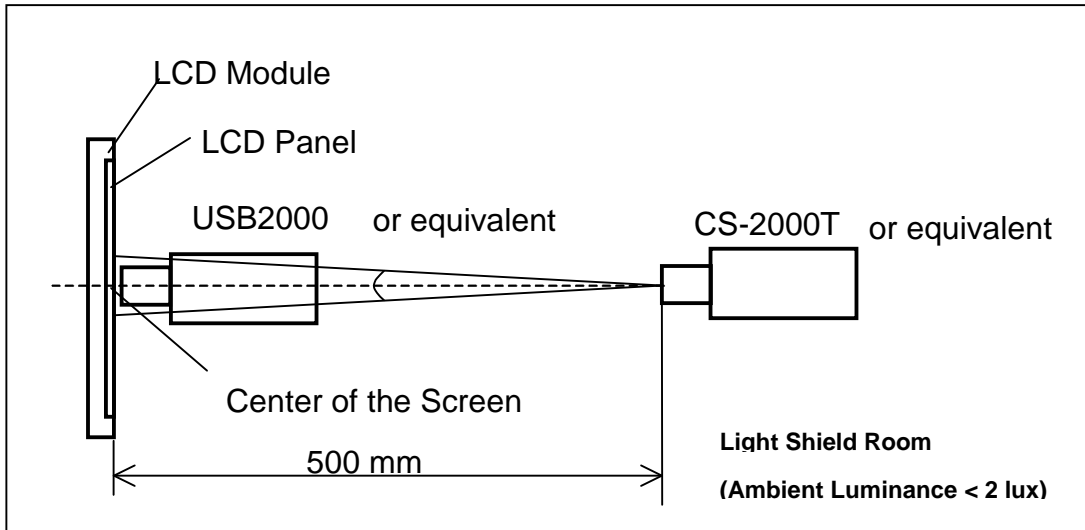
Measure the luminance of White at 5 points

$$L_{AVE} = [L (1) + L (2) + L (3) + L (4) + L (5)] / 5$$

L (x) is corresponding to the luminance of the point X at Figure in Note (6)

Note (5) Measurement Setup:

The LCD module should be stabilized at given temperature for 20 minutes to avoid abrupt temperature change during measuring. In order to stabilize the luminance, the measurement should be executed after lighting Backlight for 20 minutes in a windless room.

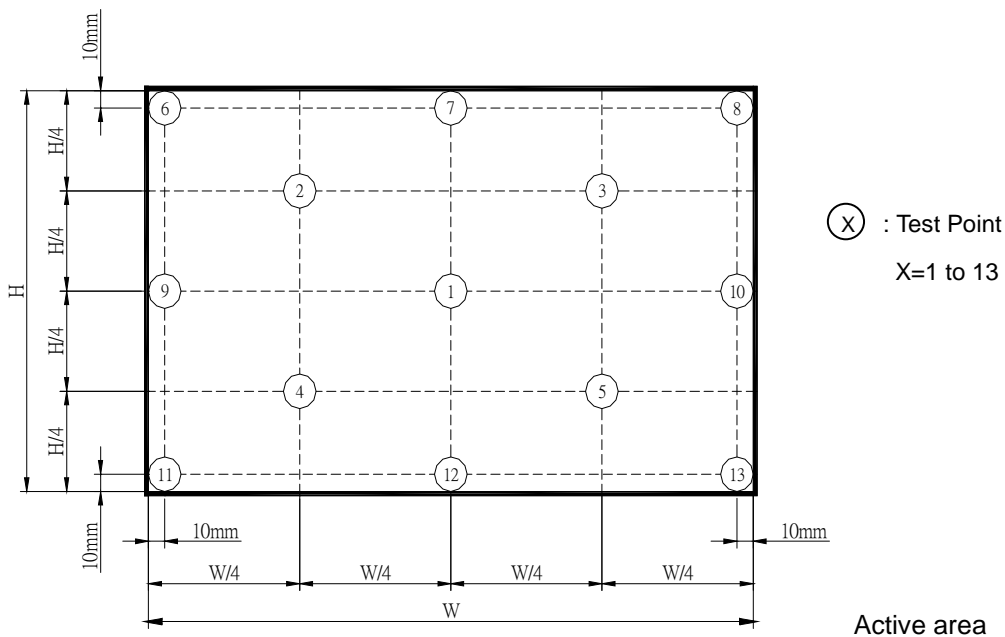


Note (6) Definition of White Variation (δW):

Measure the luminance of White at 5 points

$$\delta W_{5p} = \{ \text{Minimum} [L(1) \sim L(5)] / \text{Maximum} [L(1) \sim L(5)] \} * 100\%$$

$$\delta W_{13p} = \{ \text{Minimum} [L(1) \sim L(13)] / \text{Maximum} [L(1) \sim L(13)] \} * 100\%$$



Note (7) The listed optical specifications refer to the initial value of manufacture, but the condition of the specifications after long-term operation will not be warranted.

6. RELIABILITY TEST ITEM

| Test Item | Test Condition | Note |
|---|---|---------|
| High Temperature Storage Test | 60°C, 240 hours | (1) (2) |
| Low Temperature Storage Test | -20°C, 240 hours | |
| Thermal Shock Storage Test | -20°C, 0.5hour \longleftrightarrow 60°C, 0.5hour; 100cycles, 1hour/cycle | |
| High Temperature Operation Test | 50°C, 240 hours | |
| Low Temperature Operation Test | 0°C, 240 hours | |
| High Temperature & High Humidity Operation Test | 50°C, 80% RH, 240 hours | |
| ESD Test (Operation) | 150pF, 330 Ω , 1sec/cycle Condition 1 : Contact Discharge, \pm 8KV Condition 2 : Air Discharge, \pm 15KV | (1) |
| Shock (Non-Operating) | 220G, 2ms, half sine wave, 1 time for each direction of \pm X, \pm Y, \pm Z | (1)(3) |
| Vibration (Non-Operating) | 1.5G / 10-500 Hz, Sine wave, 30 min/cycle, 1cycle for each X, Y, Z | (1)(3) |

Note (1) criteria : Normal display image with no obvious non-uniformity and no line defect.

Note (2) Evaluation should be tested after storage at room temperature for more than two hour

Note (3) At testing Vibration and Shock, the fixture in holding the module has to be hard and rigid enough so that the module would not be twisted or bent by the fixture.

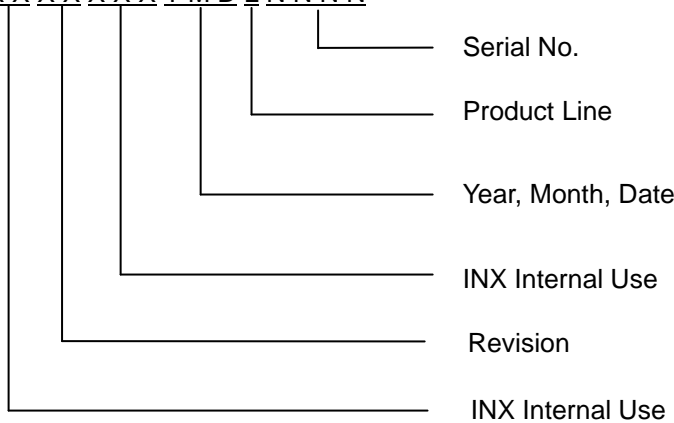
7. PACKING

7.1 MODULE LABEL

The barcode nameplate is pasted on each module as illustration, and its definitions are as following explanation.



- (a) Model Name: N116BGE - EA2
- (b) Revision: Rev. XX, for example: C1, C2 ...etc.
- (c) Serial ID: X X X X X X Y M D L N N N N



- (d) Production Location: MADE IN XXXX.
- (e) UL Logo : XXXX is UL factory ID.

Serial ID includes the information as below:

- (a) Manufactured Date: Year: 0~9, for 2010~2019
 Month: 1~9, A~C, for Jan. ~ Dec.
 Day: 1~9, A~Y, for 1st to 31st, exclude I , O and U
- (b) Revision Code: cover all the change
- (c) Serial No.: Manufacturing sequence of product
- (d) Product Line: 1 -> Line1, 2 -> Line 2, ...etc
- (e) UL Logo : XXXXX is UL factory ID.

7.2 CARTON

- (1) Box Dimensions : 489(L)*382(W)*275(H)
- (2) 40 Modules/Carton

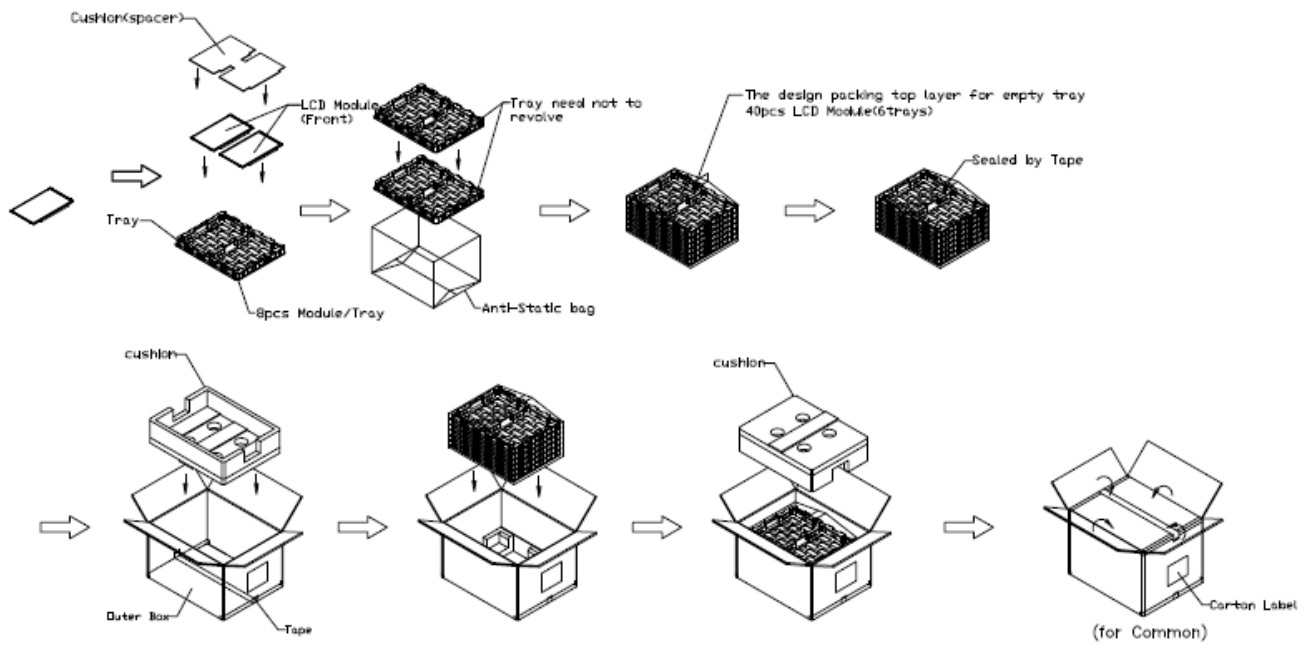


Figure. 7-1 Packing method

7.3 PALLET

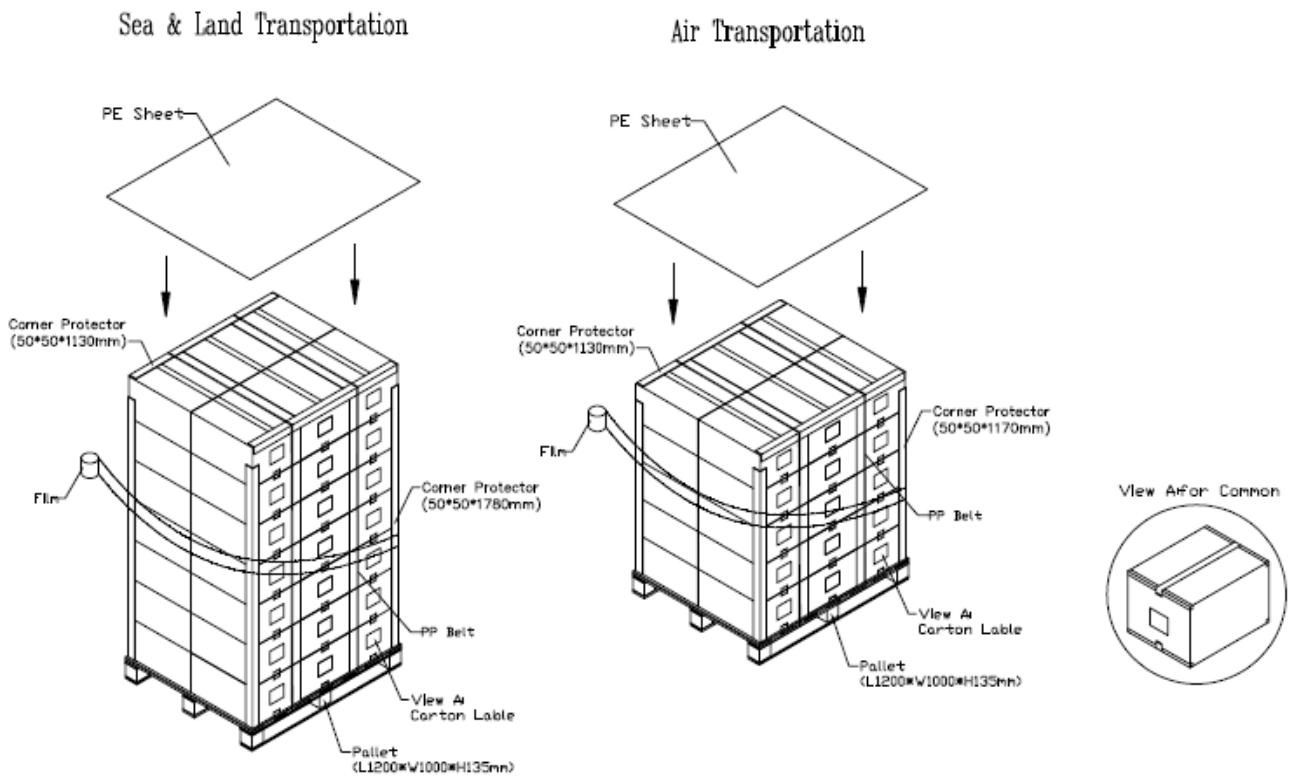


Figure. 7-2 Packing method

7.4 UN-PACKAGING METHOD

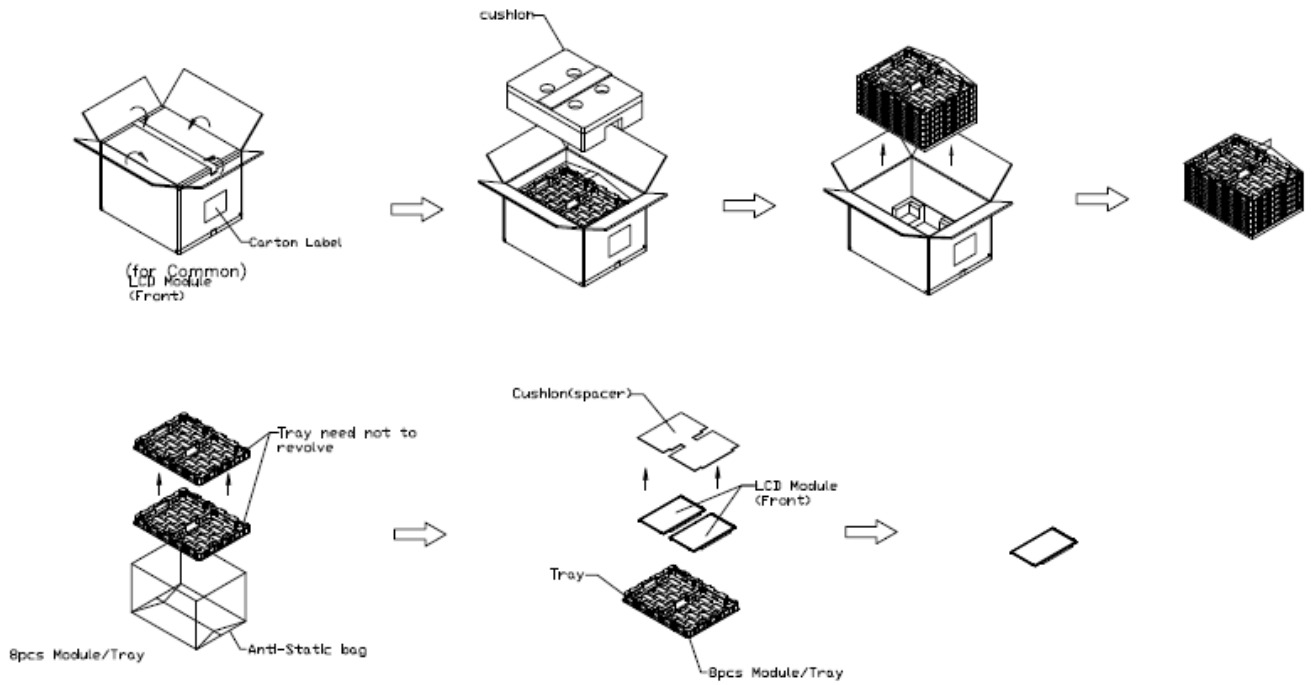


Figure. 7.3 Un-packing method

8. PRECAUTIONS

8.1 HANDLING PRECAUTIONS

- (1) The module should be assembled into the system firmly by using every mounting hole. Be careful not to twist or bend the module.
- (2) While assembling or installing modules, it can only be in the clean area. The dust and oil may cause electrical short or damage the polarizer.
- (3) Use fingerstalls or soft gloves in order to keep display clean during the incoming inspection and assembly process.
- (4) Do not press or scratch the surface harder than a HB pencil lead on the panel because the polarizer is very soft and easily scratched.
- (5) If the surface of the polarizer is dirty, please clean it by some absorbent cotton or soft cloth. Do not use Ketone type materials (ex. Acetone), Ethyl alcohol, Toluene, Ethyl acid or Methyl chloride. It might permanently damage the polarizer due to chemical reaction.
- (6) Wipe off water droplets or oil immediately. Staining and discoloration may occur if they left on panel for a long time.
- (7) If the liquid crystal material leaks from the panel, it should be kept away from the eyes or mouth. In case of contacting with hands, legs or clothes, it must be washed away thoroughly with soap.
- (8) Protect the module from static electricity, it may cause damage to the C-MOS Gate Array IC.
- (9) Do not disassemble the module.
- (10) Do not pull or fold the LED wire.
- (11) Pins of I/F connector should not be touched directly with bare hands.

8.2 STORAGE PRECAUTIONS

- (1) High temperature or humidity may reduce the performance of module. Please store LCD module within the specified storage conditions.
- (2) It is dangerous that moisture come into or contacted the LCD module, because the moisture may damage LCD module when it is operating.
- (3) It may reduce the display quality if the ambient temperature is lower than 10 °C. For example, the response time will become slowly, and the starting voltage of LED will be higher than the room temperature.

8.3 OPERATION PRECAUTIONS

- (1) Do not pull the I/F connector in or out while the module is operating.
- (2) Always follow the correct power on/off sequence when LCD module is connecting and operating. This can prevent the CMIS LSI chips from damage during latch-up.
- (3) The startup voltage of Backlight is approximately 1000 Volts. It may cause electrical shock while assembling with converter. Do not disassemble the module or insert anything into the Backlight unit.

Appendix. EDID DATA STRUCTURE

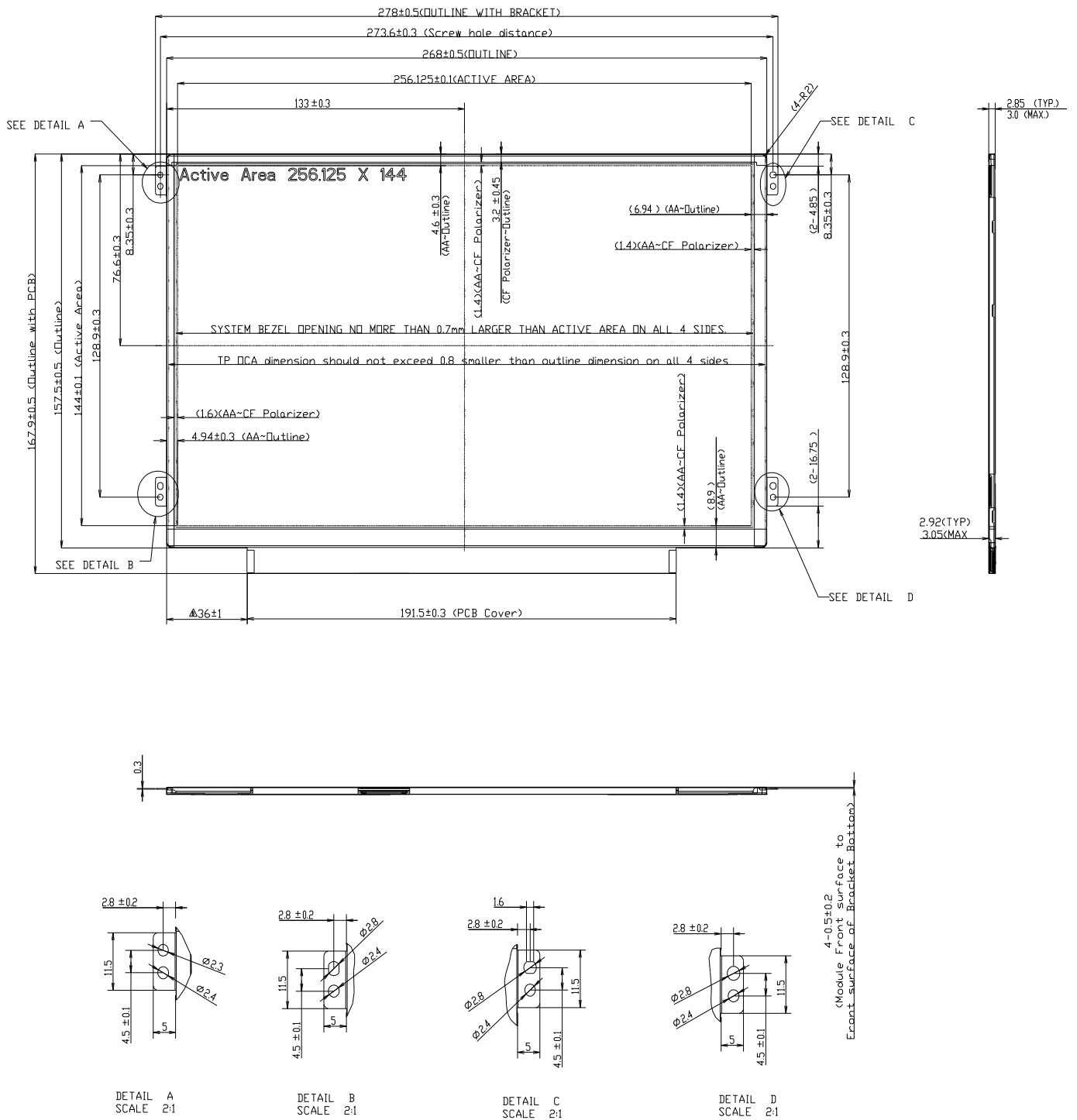
The EDID (Extended Display Identification Data) data formats are to support displays as defined in the VESA Plug & Display and FPD standards.

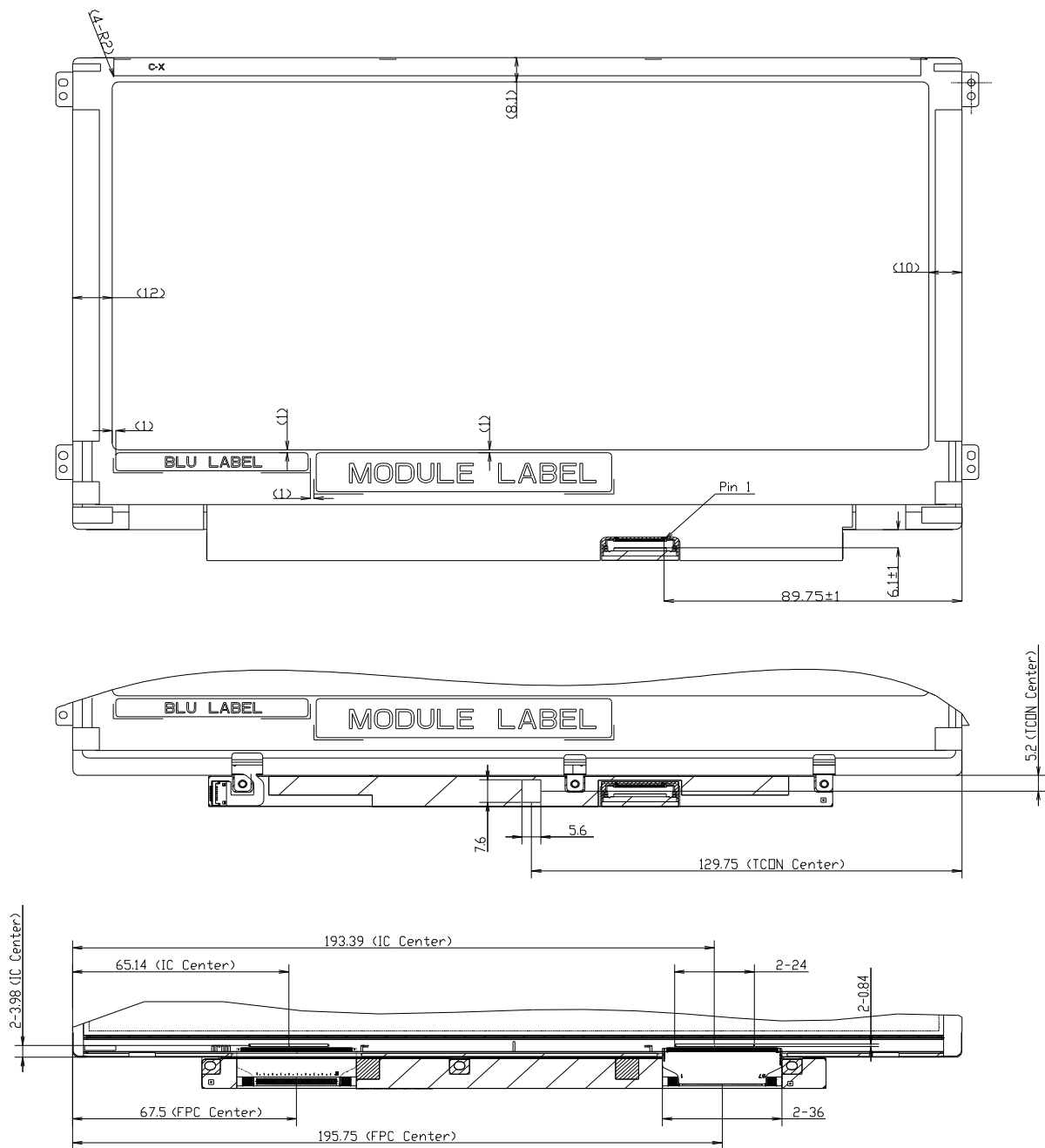
| Byte # (decimal) | Byte # (hex) | Field Name and Comments | Value (hex) | Value (binary) |
|------------------|--------------|---|-------------|----------------|
| 0 | 0 | Header | 00 | 00000000 |
| 1 | 1 | Header | FF | 11111111 |
| 2 | 2 | Header | FF | 11111111 |
| 3 | 3 | Header | FF | 11111111 |
| 4 | 4 | Header | FF | 11111111 |
| 5 | 5 | Header | FF | 11111111 |
| 6 | 6 | Header | FF | 11111111 |
| 7 | 7 | Header | 00 | 00000000 |
| 8 | 8 | EISA ID manufacturer name ("CMN") | 0D | 00001101 |
| 9 | 9 | EISA ID manufacturer name | AE | 10101110 |
| 10 | 0A | ID product code (LSB) | 32 | 00110010 |
| 11 | 0B | ID product code (MSB) | 11 | 00010001 |
| 12 | 0C | ID S/N (fixed "0") | 00 | 00000000 |
| 13 | 0D | ID S/N (fixed "0") | 00 | 00000000 |
| 14 | 0E | ID S/N (fixed "0") | 00 | 00000000 |
| 15 | 0F | ID S/N (fixed "0") | 00 | 00000000 |
| 16 | 10 | Week of manufacture (fixed week code) | 13 | 00010011 |
| 17 | 11 | Year of manufacture (fixed year code) | 17 | 00010111 |
| 18 | 12 | EDID structure version ("1") | 01 | 00000001 |
| 19 | 13 | EDID revision ("4") | 04 | 00000100 |
| 20 | 14 | Video I/P definition ("Digital") | 95 | 10010101 |
| 21 | 15 | Active area horizontal ("25.6125cm") | 1A | 00011010 |
| 22 | 16 | Active area vertical ("14.4cm") | 0E | 00001110 |
| 23 | 17 | Display Gamma (Gamma = "2.2") | 78 | 01111000 |
| 24 | 18 | Feature support ("RGB, Non-continuous") | 02 | 00000010 |
| 25 | 19 | Rx1, Rx0, Ry1, Ry0, Gx1, Gx0, Gy1, Gy0 | 14 | 00010100 |
| 26 | 1A | Bx1, Bx0, By1, By0, Wx1, Wx0, Wy1, Wy0 | 35 | 00110101 |
| 27 | 1B | Rx=0.57 | 92 | 10010010 |
| 28 | 1C | Ry=0.333 | 55 | 01010101 |
| 29 | 1D | Gx=0.325 | 53 | 01010011 |
| 30 | 1E | Gy=0.582 | 95 | 10010101 |
| 31 | 1F | Bx=0.16 | 29 | 00101001 |
| 32 | 20 | By=0.144 | 24 | 00100100 |
| 33 | 21 | Wx=0.313 | 50 | 01010000 |
| 34 | 22 | Wy=0.329 | 54 | 01010100 |
| 35 | 23 | Established timings 1 | 00 | 00000000 |
| 36 | 24 | Established timings 2 | 00 | 00000000 |
| 37 | 25 | Manufacturer's reserved timings | 00 | 00000000 |
| 38 | 26 | Standard timing ID # 1 | 01 | 00000001 |
| 39 | 27 | Standard timing ID # 1 | 01 | 00000001 |
| 40 | 28 | Standard timing ID # 2 | 01 | 00000001 |
| 41 | 29 | Standard timing ID # 2 | 01 | 00000001 |
| 42 | 2A | Standard timing ID # 3 | 01 | 00000001 |
| 43 | 2B | Standard timing ID # 3 | 01 | 00000001 |
| 44 | 2C | Standard timing ID # 4 | 01 | 00000001 |
| 45 | 2D | Standard timing ID # 4 | 01 | 00000001 |
| 46 | 2E | Standard timing ID # 5 | 01 | 00000001 |
| 47 | 2F | Standard timing ID # 5 | 01 | 00000001 |
| 48 | 30 | Standard timing ID # 6 | 01 | 00000001 |
| 49 | 31 | Standard timing ID # 6 | 01 | 00000001 |

| | | | | |
|-----|----|--|----|----------|
| 50 | 32 | Standard timing ID # 7 | 01 | 00000001 |
| 51 | 33 | Standard timing ID # 7 | 01 | 00000001 |
| 52 | 34 | Standard timing ID # 8 | 01 | 00000001 |
| 53 | 35 | Standard timing ID # 8 | 01 | 00000001 |
| 54 | 36 | Detailed timing description # 1 Pixel clock ("76.42MHz") | DA | 11011010 |
| 55 | 37 | # 1 Pixel clock (hex LSB first) | 1D | 00011101 |
| 56 | 38 | # 1 H active ("1366") | 56 | 01010110 |
| 57 | 39 | # 1 H blank ("226") | E2 | 11100010 |
| 58 | 3A | # 1 H active : H blank | 50 | 01010000 |
| 59 | 3B | # 1 V active ("768") | 00 | 00000000 |
| 60 | 3C | # 1 V blank ("32") | 20 | 00100000 |
| 61 | 3D | # 1 V active : V blank | 30 | 00110000 |
| 62 | 3E | # 1 H sync offset ("136") | 88 | 10001000 |
| 63 | 3F | # 1 H sync pulse width ("30") | 1E | 00011110 |
| 64 | 40 | # 1 V sync offset : V sync pulse width ("8 : 12") | 8C | 10001100 |
| 65 | 41 | # 1 H sync offset : H sync pulse width : V sync offset : V sync width | 00 | 00000000 |
| 66 | 42 | # 1 H image size ("256 mm") | 00 | 00000000 |
| 67 | 43 | # 1 V image size ("144 mm") | 90 | 10010000 |
| 68 | 44 | # 1 H image size : V image size | 10 | 00010000 |
| 69 | 45 | # 1 H boarder ("0") | 00 | 00000000 |
| 70 | 46 | # 1 V boarder ("0") | 00 | 00000000 |
| 71 | 47 | # 1 Non-interlaced, Normal, no stereo, Separate sync, H/V pol Negatives | 18 | 00011000 |
| 72 | 48 | Detailed timing description # 2 | 00 | 00000000 |
| 73 | 49 | # 2 Flag | 00 | 00000000 |
| 74 | 4A | # 2 Reserved | 00 | 00000000 |
| 75 | 4B | # 2 ASCII string Model name | FE | 11111110 |
| 76 | 4C | # 2 Flag | 00 | 00000000 |
| 77 | 4D | # 2 Character of Model name ("N") | 4E | 01001110 |
| 78 | 4E | # 2 Character of Model name ("1") | 31 | 00110001 |
| 79 | 4F | # 2 Character of Model name ("1") | 31 | 00110001 |
| 80 | 50 | # 2 Character of Model name ("6") | 36 | 00110110 |
| 81 | 51 | # 2 Character of Model name ("B") | 42 | 01000010 |
| 82 | 52 | # 2 Character of Model name ("G") | 47 | 01000111 |
| 83 | 53 | # 2 Character of Model name ("E") | 45 | 01000101 |
| 84 | 54 | # 2 Character of Model name ("-") | 2D | 00101101 |
| 85 | 55 | # 2 Character of Model name ("E") | 45 | 01000101 |
| 86 | 56 | # 2 Character of Model name ("A") | 41 | 01000001 |
| 87 | 57 | # 2 Character of Model name ("2") | 32 | 00110010 |
| 88 | 58 | # 2 New line character indicates end of ASCII string | 0A | 00001010 |
| 89 | 59 | # 2 Padding with "Blank" character | 20 | 00100000 |
| 90 | 5A | Detailed timing description # 3 | 00 | 00000000 |
| 91 | 5B | # 3 Flag | 00 | 00000000 |
| 92 | 5C | # 3 Reserved | 00 | 00000000 |
| 93 | 5D | # 3 ASCII string Vendor | FE | 11111110 |
| 94 | 5E | # 3 Flag | 00 | 00000000 |
| 95 | 5F | # 3 Character of string ("C") | 43 | 01000011 |
| 96 | 60 | # 3 Character of string ("M") | 4D | 01001101 |
| 97 | 61 | # 3 Character of string ("N") | 4E | 01001110 |
| 98 | 62 | # 3 New line character indicates end of ASCII string | 0A | 00001010 |
| 99 | 63 | # 3 Padding with "Blank" character | 20 | 00100000 |
| 100 | 64 | # 3 Padding with "Blank" character | 20 | 00100000 |
| 101 | 65 | # 3 Padding with "Blank" character | 20 | 00100000 |
| 102 | 66 | # 3 Padding with "Blank" character | 20 | 00100000 |
| 103 | 67 | # 3 Padding with "Blank" character | 20 | 00100000 |
| 104 | 68 | # 3 Padding with "Blank" character | 20 | 00100000 |

| | | | | |
|-----|----|--|----|----------|
| 105 | 69 | # 3 Padding with "Blank" character | 20 | 00100000 |
| 106 | 6A | # 3 Padding with "Blank" character | 20 | 00100000 |
| 107 | 6B | # 3 Padding with "Blank" character | 20 | 00100000 |
| 108 | 6C | Detailed timing description # 4 | 00 | 00000000 |
| 109 | 6D | # 4 Flag | 00 | 00000000 |
| 110 | 6E | # 4 Reserved | 00 | 00000000 |
| 111 | 6F | # 4 ASCII string Model Name | FE | 11111110 |
| 112 | 70 | # 4 Flag | 00 | 00000000 |
| 113 | 71 | # 4 Character of Model name ("N") | 4E | 01001110 |
| 114 | 72 | # 4 Character of Model name ("1") | 31 | 00110001 |
| 115 | 73 | # 4 Character of Model name ("1") | 31 | 00110001 |
| 116 | 74 | # 4 Character of Model name ("6") | 36 | 00110110 |
| 117 | 75 | # 4 Character of Model name ("B") | 42 | 01000010 |
| 118 | 76 | # 4 Character of Model name ("G") | 47 | 01000111 |
| 119 | 77 | # 4 Character of Model name ("E") | 45 | 01000101 |
| 120 | 78 | # 4 Character of Model name ("-") | 2D | 00101101 |
| 121 | 79 | # 4 Character of Model name ("E") | 45 | 01000101 |
| 122 | 7A | # 4 Character of Model name ("A") | 41 | 01000001 |
| 123 | 7B | # 4 Character of Model name ("2") | 32 | 00110010 |
| 124 | 7C | # 4 New line character indicates end of ASCII string | 0A | 00001010 |
| 125 | 7D | # 4 Padding with "Blank" character | 20 | 00100000 |
| 126 | 7E | Extension flag | 00 | 00000000 |
| 127 | 7F | Checksum | 48 | 01001000 |

Appendix. OUTLINE DRAWING





NOTES :

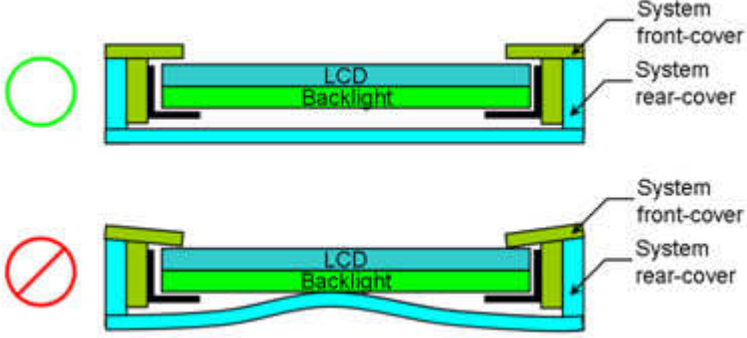
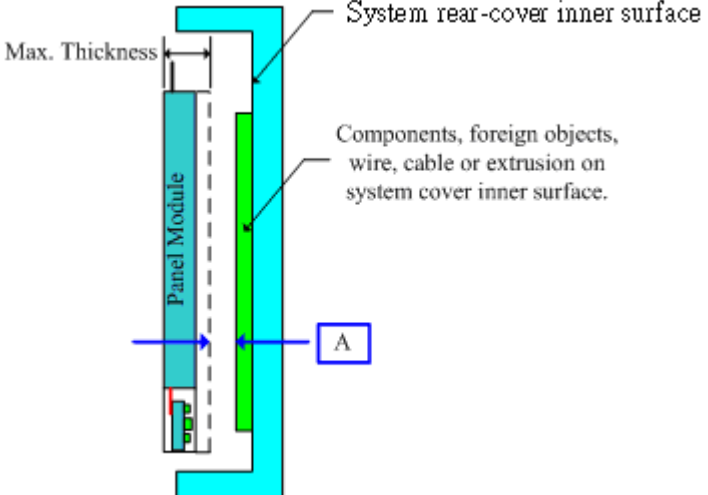
1. LCD MODULE INPUT CONNECTOR : I-PEX 20455-030E-12.
2. IN ORDER TO AVOID ABNORMAL DISPLAY, POOLING AND WHITE SPOT, NO OVERLAPPING IS SUGGESTED AT CABLES, ANTENNAS, CAMERA,WLAN, WAN OR FOREIGN OBJECTS OVER FPC, T-CON AND VR LOCATIONS.
3. eDP CONNECTOR IS MEASURED AT PIN1 AND ITS MATING LINE.
4. MODULE FLATNESS SPEC 2.0mm MAX.
5. 'C' MARKS THE REFERENCE DIMENSIONS.

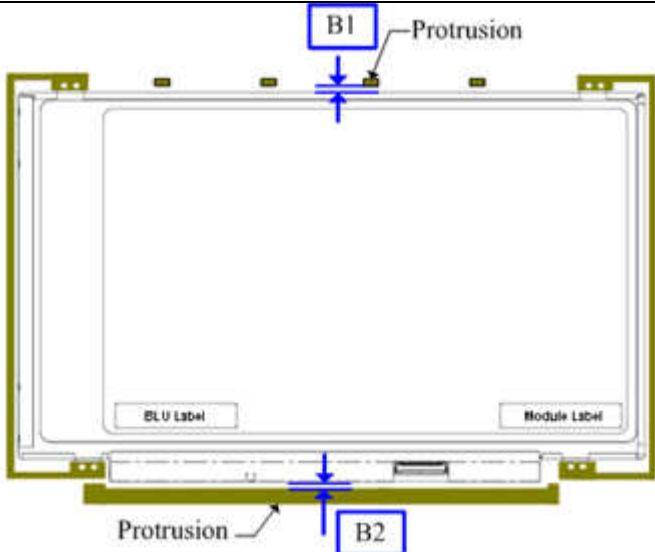
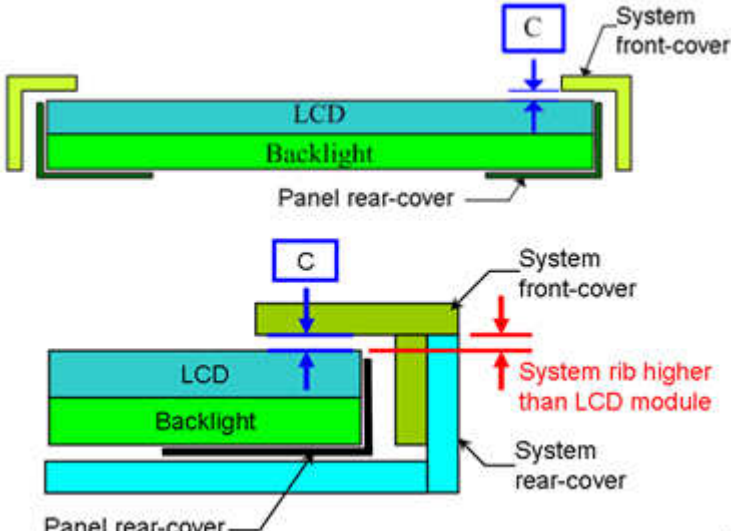
Appendix. SYSTEM COVER DESIGN NOTICE

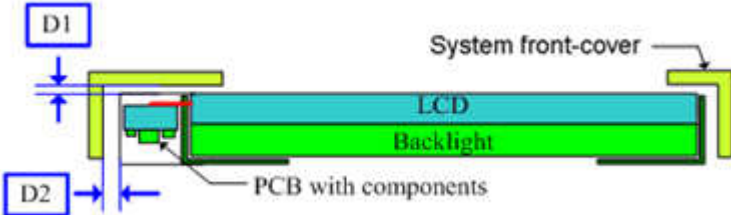
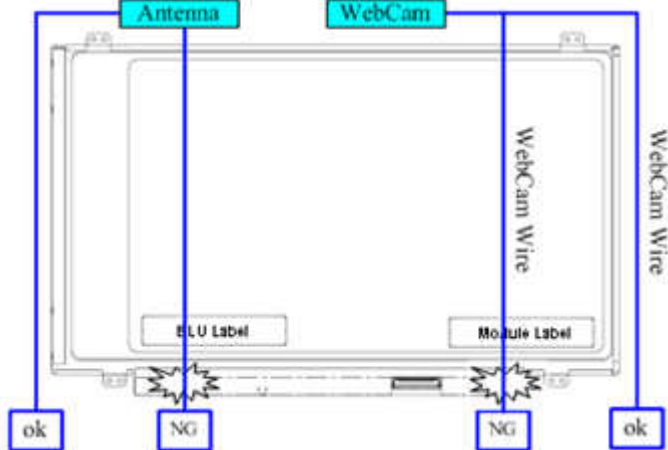
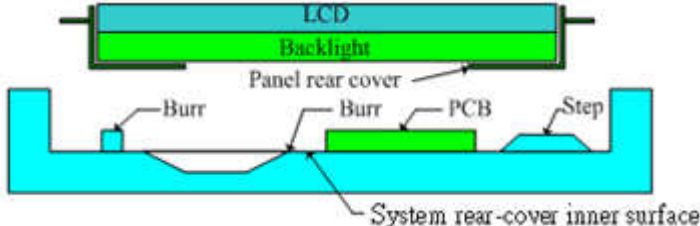
Ver. 5

Note. Dimensions measuring instruments as below,

- 1. Length/ Width/Thickness : Caliper
- 2. Height : Height gauge
- 3. Flatness : Feeler gauge

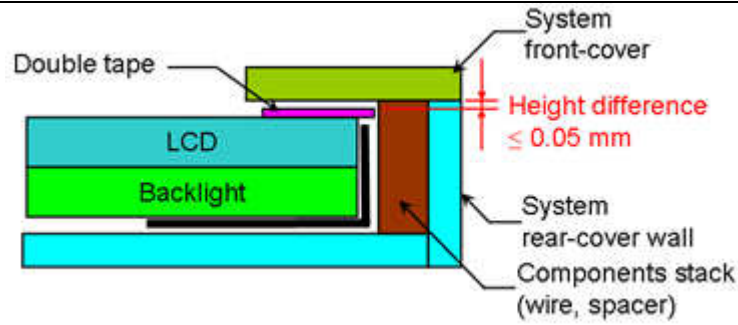
| | |
|------------|--|
| 0. | Permanent deformation of system cover after reliability test |
| |  |
| Definition | <p>System cover including front and rear cover may deform during reliability test. Permanent deformation of system front and rear cover after reliability test should not interfere with panel. Because it may cause issues such as pooling, abnormal display, white spot, and also cell crack.</p> <p>Note: If the interference can not be avoided, please feel free to contact INX FAE Engineer for collaboration design. We can help to verify and pass risk assessment for customer reference.</p> |
| 1. | Design gap A between panel & any components on system rear-cover |
| |  |
| Definition | <p>Gap between panel's maximum thickness boundary & system's inner surface components such as wire, cable, extrusion is needed for preventing from backpack or pogo test fail. Because zero gap or interference may cause stress concentration. Issues such as pooling, abnormal display, white spot, and cell crack may occur.</p> <p>Maximum flatness of panel and system rear-cover should be taken into account for gap design.</p> <p>Note: If the interference can not be avoided, please feel free to contact INX FAE Engineer for collaboration design. We can help to verify and pass risk assessment for customer reference.</p> |
| 2 | Design gap B1 & B2 between panel & protrusions |

| | |
|-------------------|--|
| |  |
| <p>Definition</p> | <p>Gap between panel & protrusions is needed to prevent shock test failure. Because protrusions with small gap may hit panel during the test. Issue such as cell crack, abnormal display may occur.</p> <p>The gap should be large enough to absorb the maximum displacement during the test.</p> <p>Note: If the interference can not be avoided, please feel free to contact INX FAE Engineer for collaboration design. We can help to verify and pass risk assessment for customer reference.</p> |
| <p>3</p> | <p>Design gap C between system front-cover & panel surface.</p> |
| |  |
| <p>Definition</p> | <p>Gap between system front-cover & panel surface is needed to prevent pooling or glass broken. Zero gap or interference such as burr and warpage from mold frame may cause pooling issue near system front-cover opening edge. This phenomenon is obvious during swing test, hinge test, knock test, or during pooling inspection procedure.</p> <p>To remain sufficient gap, design with system rib higher than maximum panel thickness is recommended.</p> <p>Note: If the interference can not be avoided, please feel free to contact INX FAE Engineer for collaboration design. We can help to verify and pass risk assessment for customer reference.</p> |
| <p>4</p> | <p>Design gap D1 & D2 between system front-cover & PCB Assembly.</p> |

| | |
|------------|---|
| |  |
| Definition | Same as point 2 and 3, but focus on PCBA side. |
| 5 | Interference examination of antenna cable and WebCam wire |
| |  |
| Definition | <p>Antenna cable or WebCam wire should not overlap with panel outline. Because issue such as abnormal display & white spot after backpack test, hinge test, twist test or pogo test may occur.</p> <p>Note: If the interference can not be avoided, please feel free to contact INX FAE Engineer for collaboration design. We can help to verify and pass risk assessment for customer reference.</p> |
| 6 | System rear-cover inner surface examination |
| |  |
| Definition | Burr at logo edge, steps, protrusions or PCB board may cause stress concentration. White spot or glass broken issue may occur during reliability test. |
| 7 | Tape/sponge design on system inner surface |

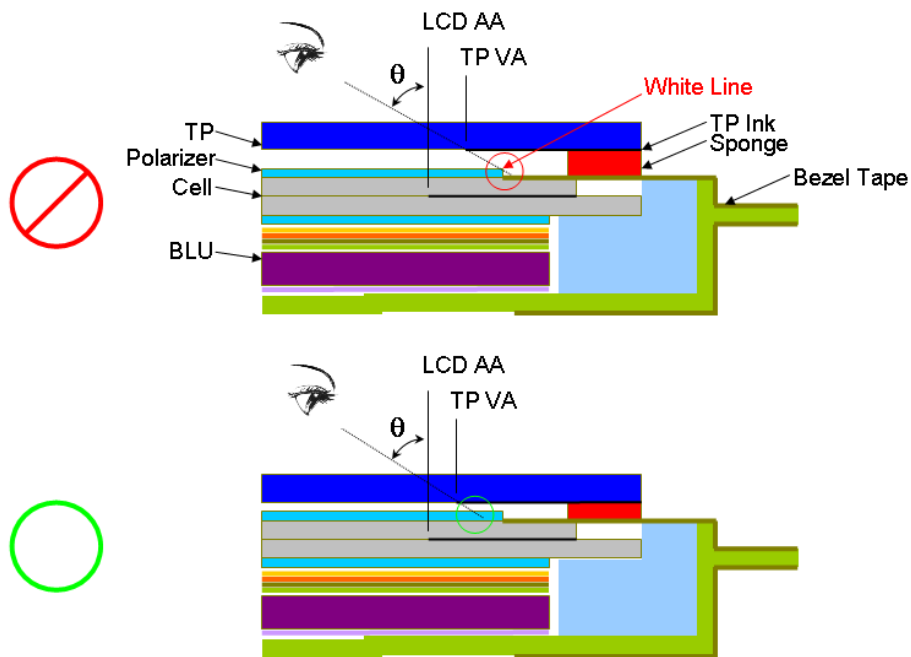
| | |
|-------------------|---|
| | <p>Panel rear-cover System rear-cover Tape/Sponge LCD Backlight</p> |
| <p>Definition</p> | <p>To prevent abnormal display & white spot after scuffing test, hinge test, pogo test, backpack test, tape/sponge should be well covered under panel rear-cover. Because tape/sponge in separate location may act as pressure concentration location.</p> |
| <p>8</p> | <p>Material used for system rear-cover</p> |
| | <p>System rear-cover LCD Backlight</p> |
| <p>Definition</p> | <p>System rear-cover material with high rigidity is needed to resist deformation during scuffing test, hinge test, pogo test, or backpack test. Abnormal display, white spot, pooling issue may occur if low rigidity material is used. Pooling issue may occur because screw's boss positioning for module's bracket are deformed during open-close test. Solid structure design of system rear-cover may also influence the rigidity of system rear-cover. The deformation of system rear-cover should not caused interference.</p> |
| <p>9</p> | <p>System base unit design near keyboard and mouse pad</p> |
| | <p>System rear-cover System front-cover System base unit Backlight LCD Keyboard/Mouse pad Sharp edge</p> |
| <p>Definition</p> | <p>To prevent abnormal display & white spot after scuffing test, hinge test, pogo test, backpack test, sharp edge design in keyboard surface may damage panel during the test. We suggest to use slope edge design, or to reduce the thickness difference of keyboard/mouse pad from the nearby surface.</p> |
| <p>10</p> | <p>Screw boss height design</p> |

| | |
|-------------------|--|
| | |
| <p>Definition</p> | <p>Screw boss height should be designed with respect to the height of bracket bottom surface to panel bottom surface + flatness change of panel itself. Because gap will exist between screw boss and bracket, if the screw boss height is smaller. As result while fastening screw, bracket will deformed and pooling issue may occur.</p> |
| <p>11</p> | <p>Assembly SOP examination for system front-cover with Hook design</p> |
| | |
| <p>Definition</p> | <p>To prevent panel crack during system front-cover assembly process with hook design, it is not recommended to press panel or any location that related directly to the panel.</p> |
| <p>12</p> | <p>Assembly SOP examination for system front-cover with Double tape design</p> |
| | |
| <p>Definition</p> | <p>To prevent panel crack during system front-cover assembly process with double tape design, it is only allowed to give slight pressure (MAX 3 Kgf/50mm²) with large contact area. This can help to distribute the stress and prevent stress concentration. We also suggest putting the system on a flat surface stage to prevent unequal stress distribution during the assembly.</p> |
| <p>13</p> | <p>System front-cover assembly reference with Double tape design</p> |



Definition To prevent system front-cover peeling at double tape contact area, Height difference between system front-cover assembly reference such as wall or components stack (wire, spacer) and double tape top surface must be less than 0.05mm.

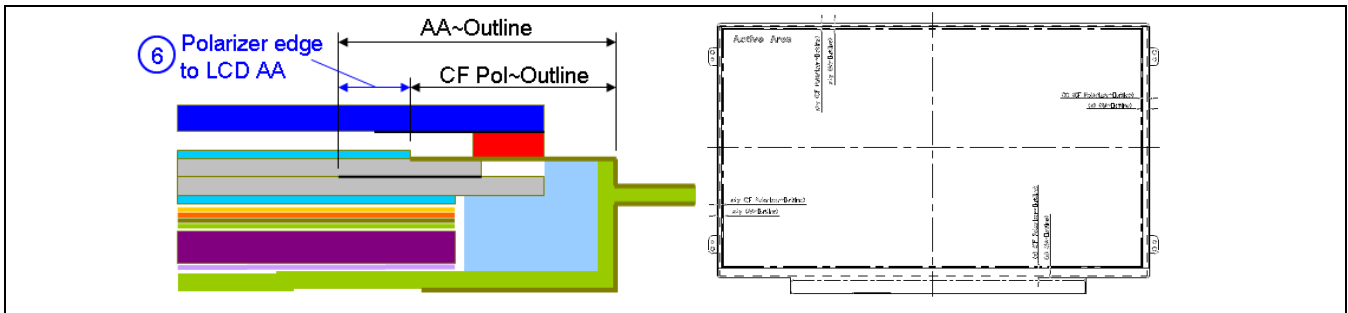
14 Touch Application : TP and LCD Module Combination for White Line Prevention



Parameter consideration for White Line Issue :

| | |
|---|---|
| 1 | TP VA to LCD AA distance |
| 2 | TP Assembly tolerance |
| 3 | TP Ink Printing tolerance |
| 4 | Sponge thickness and tolerance |
| 5 | Inspection/Viewing Angle specification |
| 6 | Polarizer edge to LCD AA distance and tolerance |

Polarizer edge to LCD AA distance can be derived by "AA~Outline" – "CF Pol~Outline" with respect to INX 2D Outline Drawing on each side.



Definition

For using in Touch Application: to prevent White Line appears between TP and LCD module combination, the maximum inspection angle location must not fall onto LCD polarizer edge, otherwise light line near edge of polarizer will be appear.

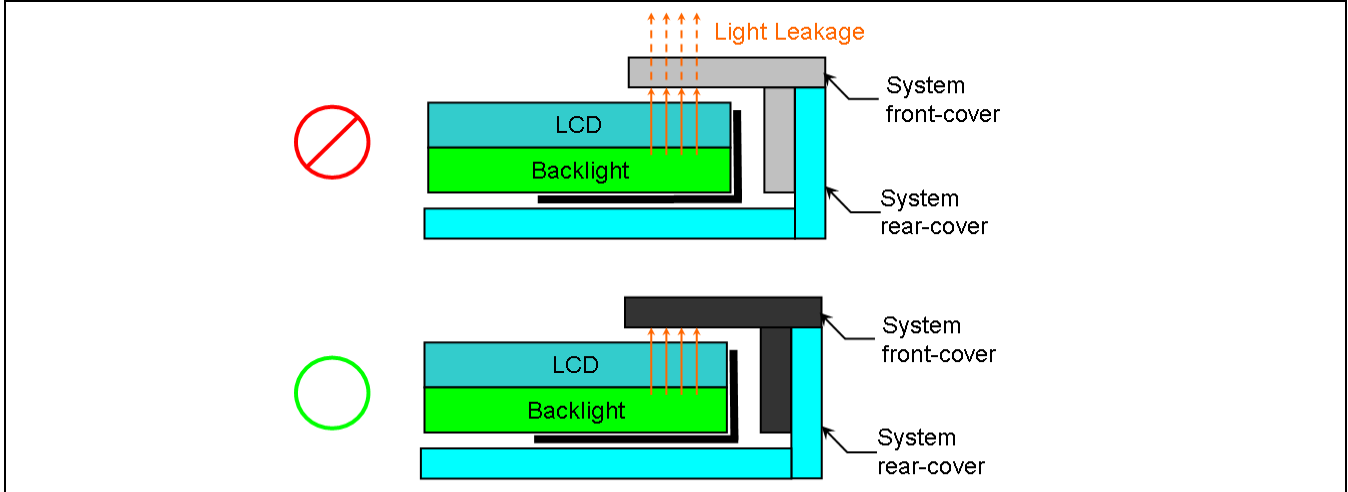
Parameters such as TP VA to LCD AA distance, TP assembly tolerance, TP Ink printing tolerance, Sponge thickness and tolerance, and Maximum Inspection/Viewing Angle, must be considered with respect to LCD module's Polarizer edge location and tolerance. This consideration must be taken at all four edges separately.

The goal is to find parameters combination that allow maximum inspection angle falls inside polarizer black margin area.

Note: Information for Polarizer edge location and its tolerance can be derived from INX 2D Outline Drawing ("AA ~Outline" - "CF Pol~Outline").

Note: Please feel free to contact INX FAE Engineer. By providing value of parameters above on each side, we can help to verify and pass the white line risk assessment for customer reference.

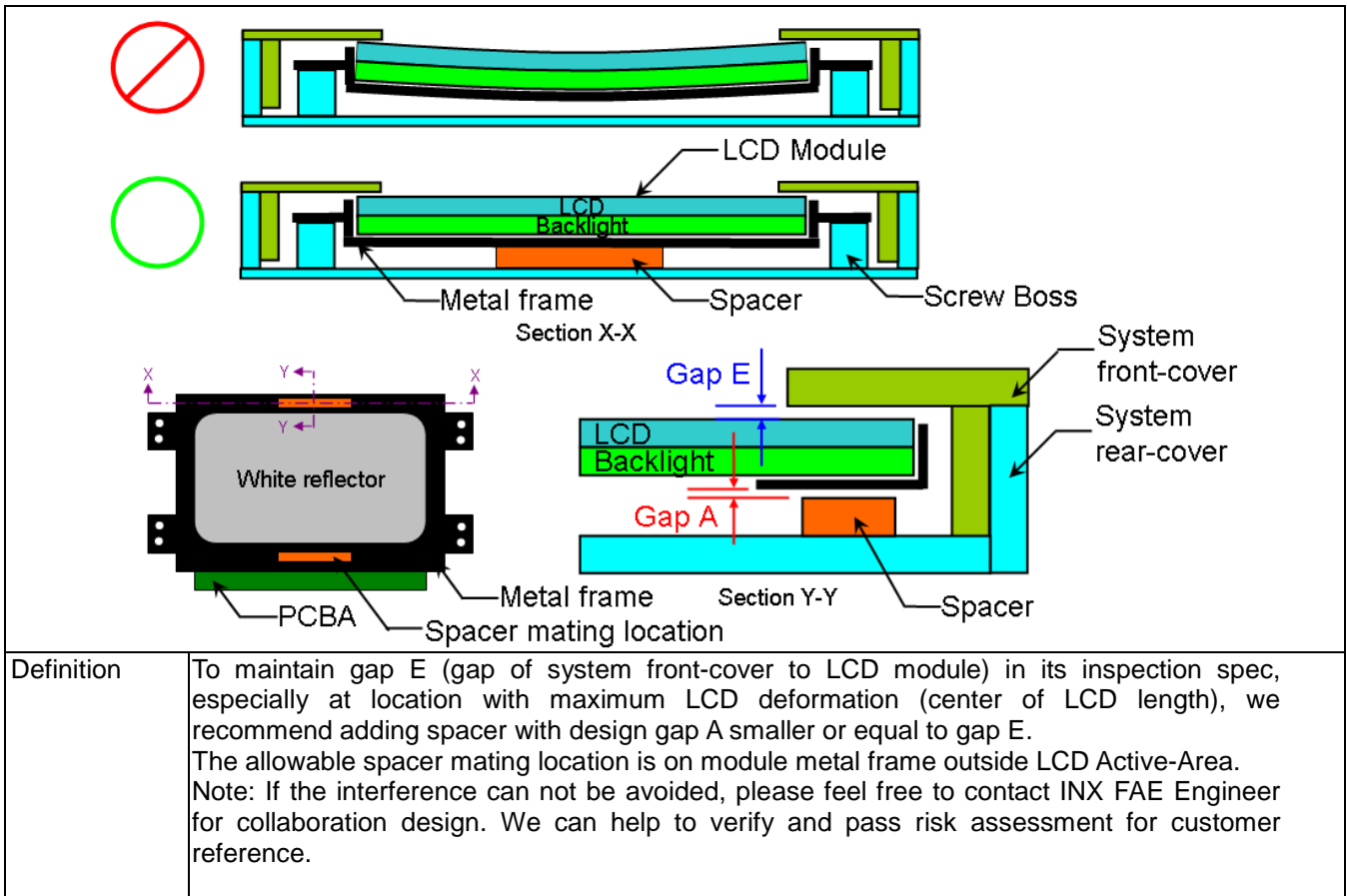
15 Color of system front-cover material










Definition

To prevent light leakage is seen at system front-cover due to material transparency, we suggest using dark color material (black) for system front-cover design.

16 Inspection spec of gap E between system front-cover to LCD module surface



Appendix. LCD MODULE HANDLING MANUAL

| | |
|---|---|
| <p>Purpose</p> | <ul style="list-style-type: none"> • This SOP is prepared to prevent panel dysfunction possibility through incorrect handling procedure. • This manual provides guide in unpacking and handling steps. • Any person which may contact / related with panel, should follow guide stated in this manual to prevent panel loss. |
| <p>1.</p> | <p>Unpacking</p> |
| <div style="display: flex; justify-content: space-around; align-items: center;"> <div style="text-align: center;">  </div> <div style="text-align: center;"> <p>Open carton</p>  </div> <div style="text-align: center;"> <p>Remove EPE Cushion</p>  </div> </div> <div style="text-align: center; margin: 10px 0;">  </div> <div style="display: flex; justify-content: space-around; align-items: center;"> <div style="text-align: center;">  <p>Open plastic bag</p> </div> <div style="text-align: center;">  <p>Cut Adhesive Tape</p> </div> <div style="text-align: center;">  <p>Remove EPE Cushion</p> </div> </div> | |
| <p>2.</p> | <p>Panel Lifting</p> |

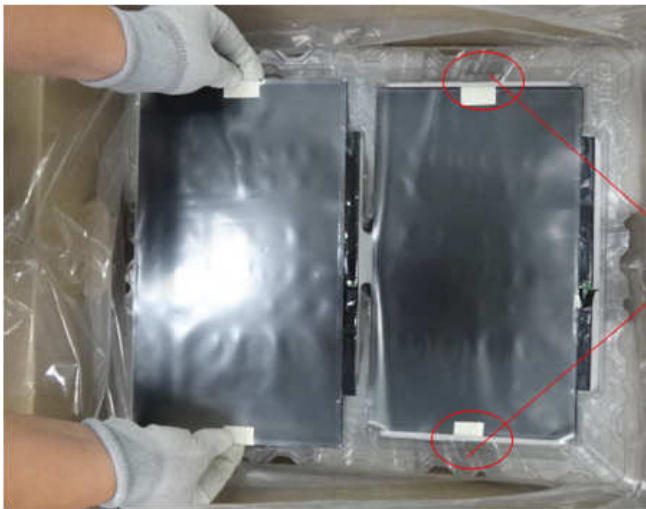
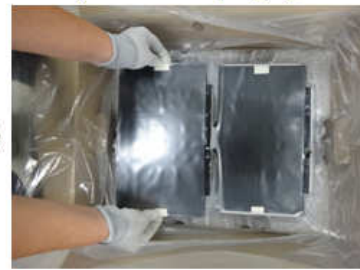
Remove PET Cover



Remove PE Foam



Handle with care
(see next page)



Finger Slot

Use slots at both sides for finger insertion.
Handle panel upward with care.

3.

Do and Don't

Do :

- Handle with both hands.
- Handle panel at left and right edge.



Don't :

- Lifting with one hand.



- Handle at PCBA side.



Don't :

- Stack panels.



- Press panel.



Don't :

- Put foreign stuff onto panel



- Put foreign stuff under panel



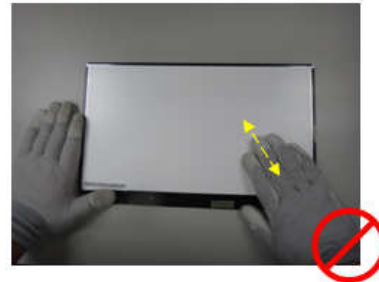
Don't :

- Paste any material unto white reflector sheet



Don't :

- Pull / Push white reflector sheet



Don't :

- Hold at panel corner.



Don't :

- Twist panel.



Do :

- Hold panel at top edge while inserting connector.



Don't :

- Press white reflector sheet while inserting connector.



Do :

- Remove panel protector film starts from side tape.



Don't :

- Remove panel protector film from film corner directly before side tape is removed.



Don't :

- Touch or Press PCBA Area.

