



MSP430-SOLAR

rev 2.00/04-2016

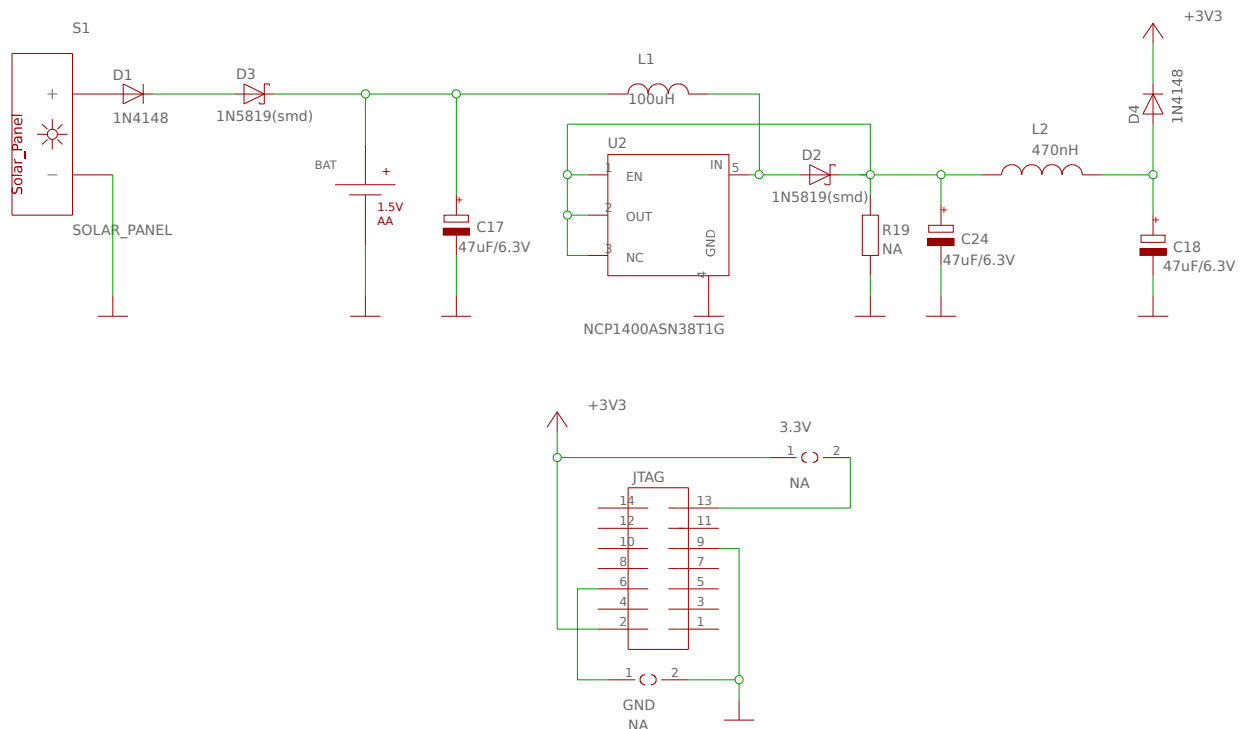
MSP430-SOLAR is a power supply module that can power a MSP430 board via the standard JTAG connector. MSP430-SOLAR has a solar panel and option for re-chargeable battery. The solar panel is rated 2.4V 80mA and has an on-board DC/DC step-up voltage converter which generates 3.3V for the MSP430 target.

The board has a female 2x7 pin 0.1" step IDC connector which can be plugged to a standard MSP430 JTAG connector via a 14-pin 0.1" step cable (this fitting male-male extension cable is included in the box).

The module features are:

- **Solar panel** with 2.4V DC / 80 mA power supply (under direct sun lighting on it with 90 degree to sun rays)
- **Battery holder** for 1.2V single cell re-chargeable battery
- DC/DC voltage booster 1.2 VDC to 3.3VDC
- Female IDC connector for direct plug to MSP430 target boards with JTAG connector
- Dimensions: (56 x 48)mm ~ (2.2 x 1.9)"

Schematic:



Copyright © 2016, OLIMEX Ltd. All right reserved.

<http://www.olimex.com/>