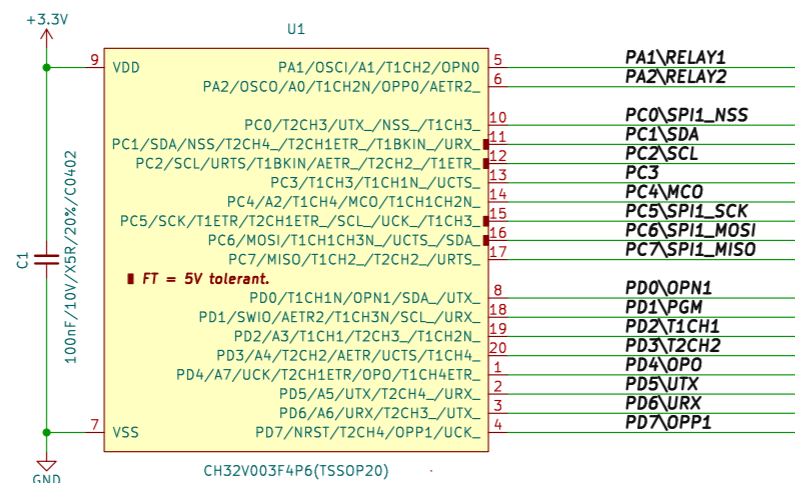
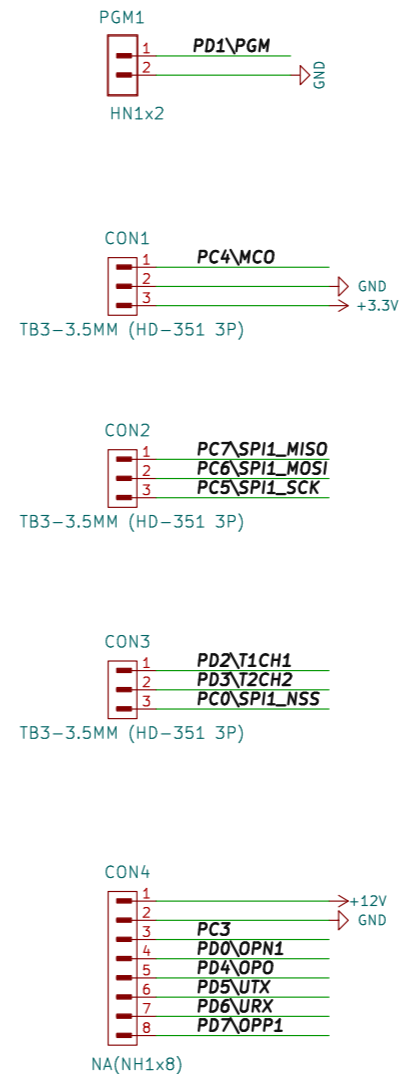


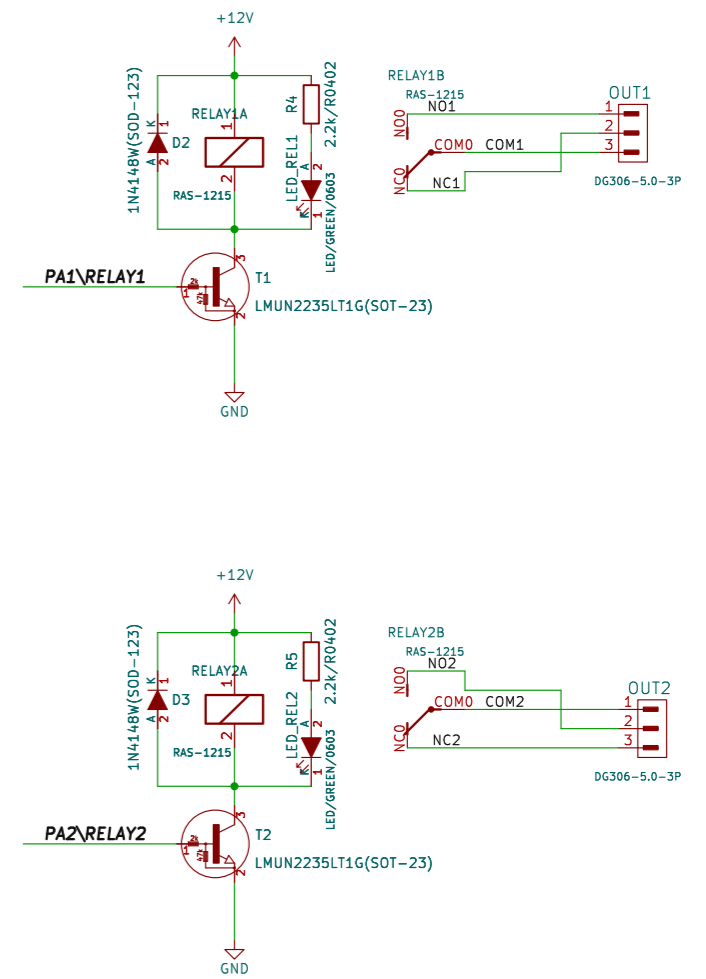
Mcu-CH32V003



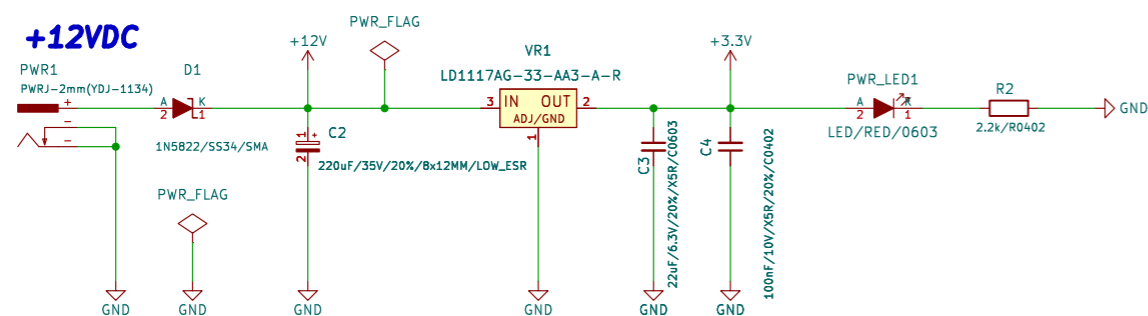
Connectors



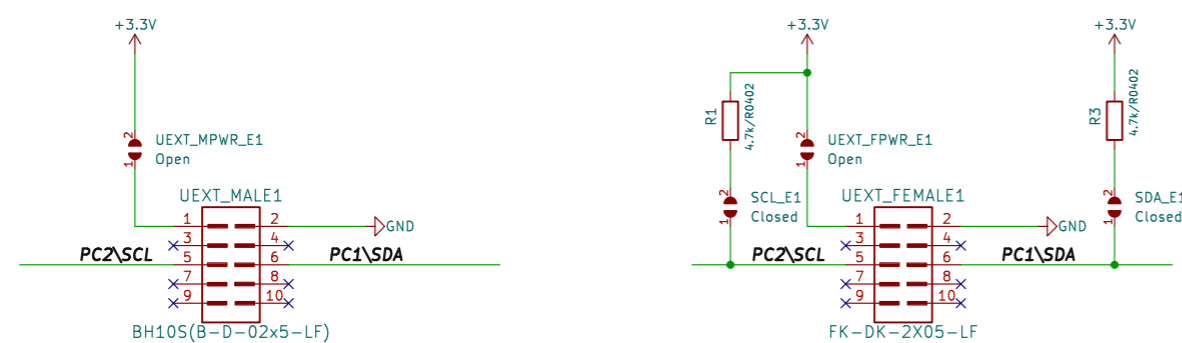
Relays



Power



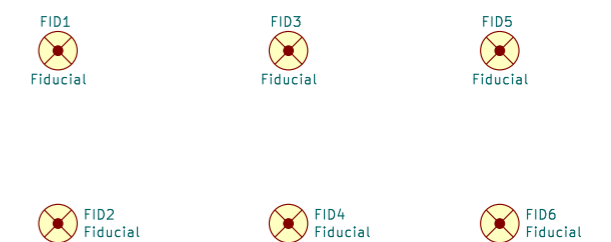
Uexts



Mounting Holes



Fiducials



<https://www.olimex.com>
OLIMEX LTD.
Sheet: /
File: MOD-102_Rev_D.kicad_sch

Title: MOD-102

Size: A3 Date: 2024-05-24
KiCad E.D.A. kicad 7.0.9-7.0.9-ubuntu22.04.1

Rev: D
Id: 1/1