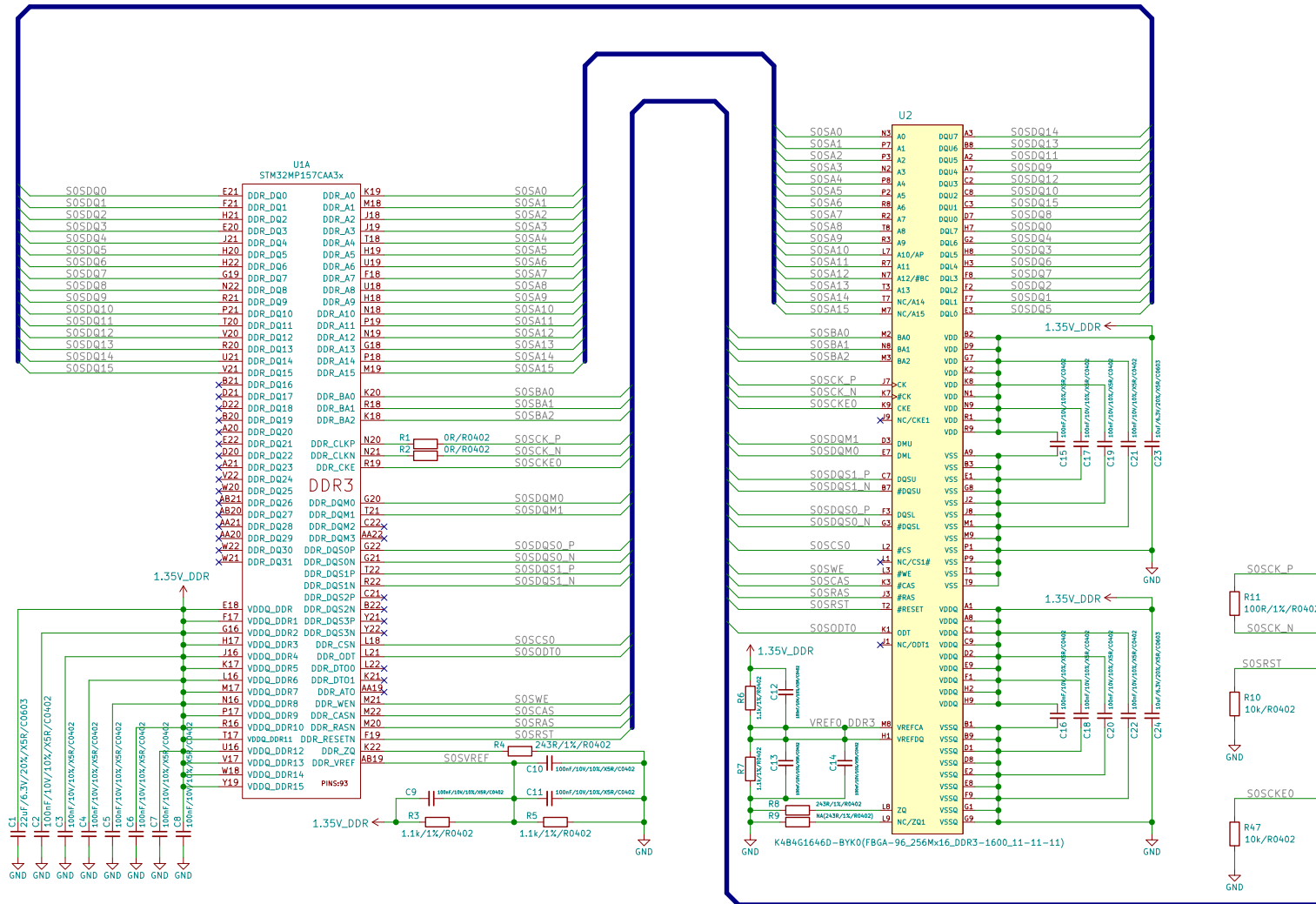


DDR3L:512MBytes

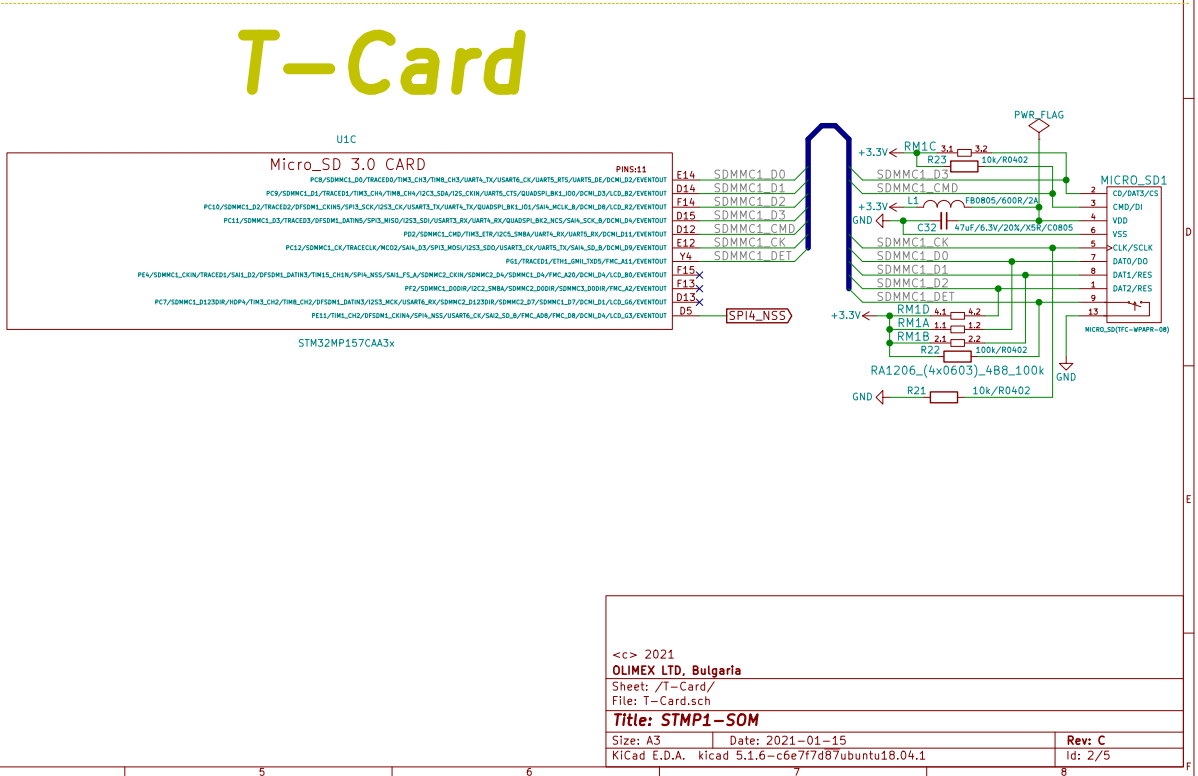
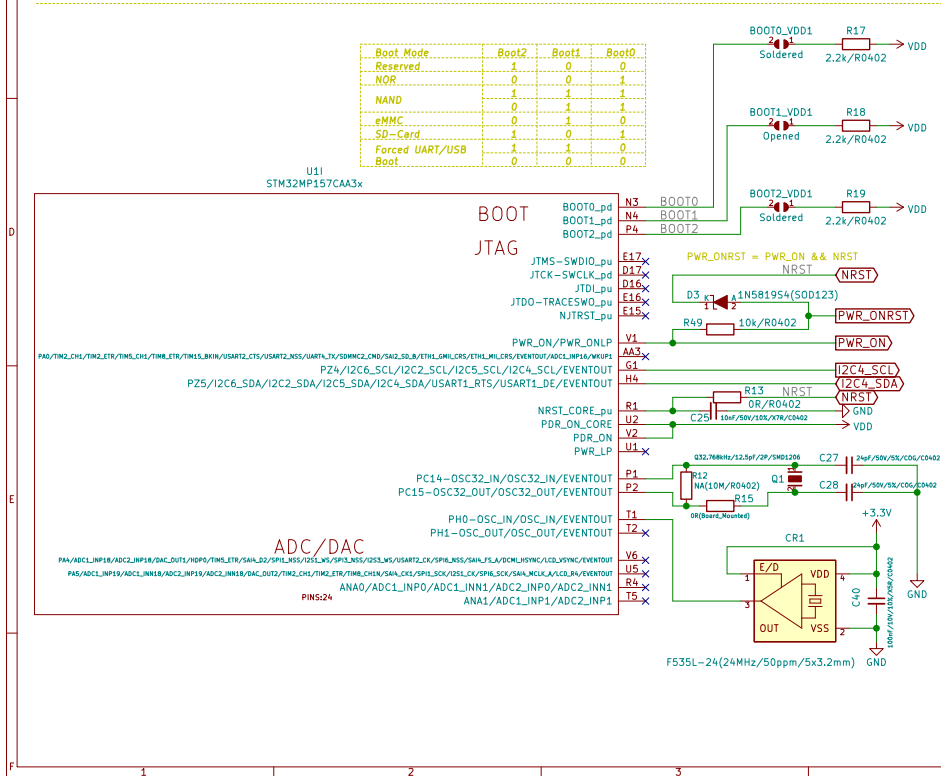
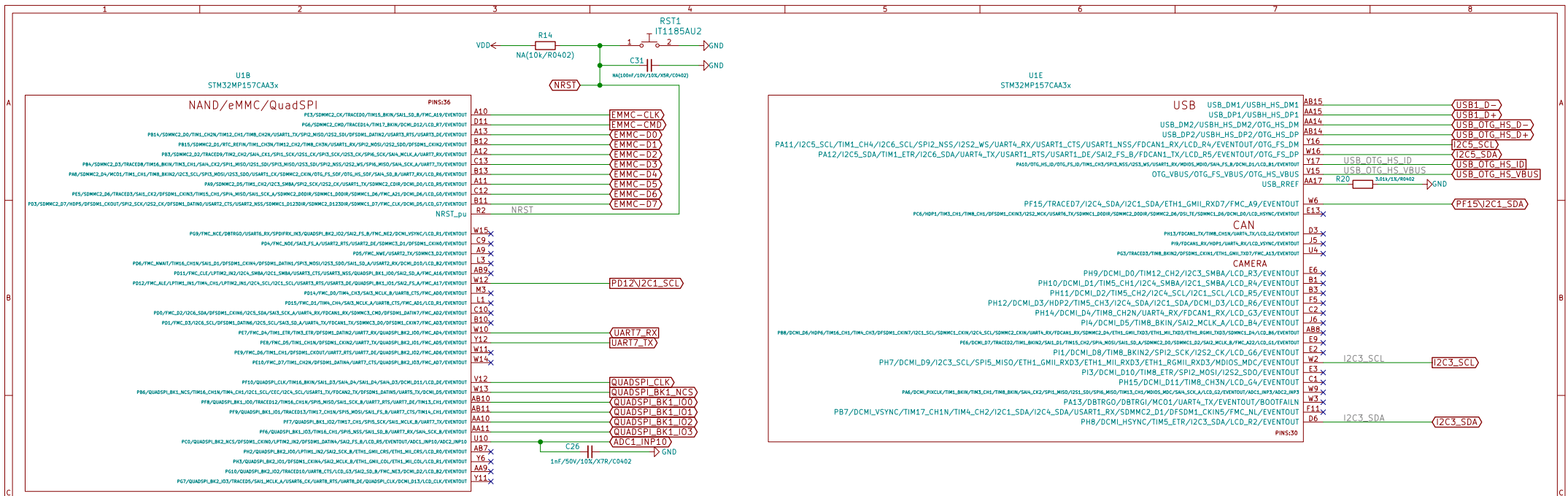


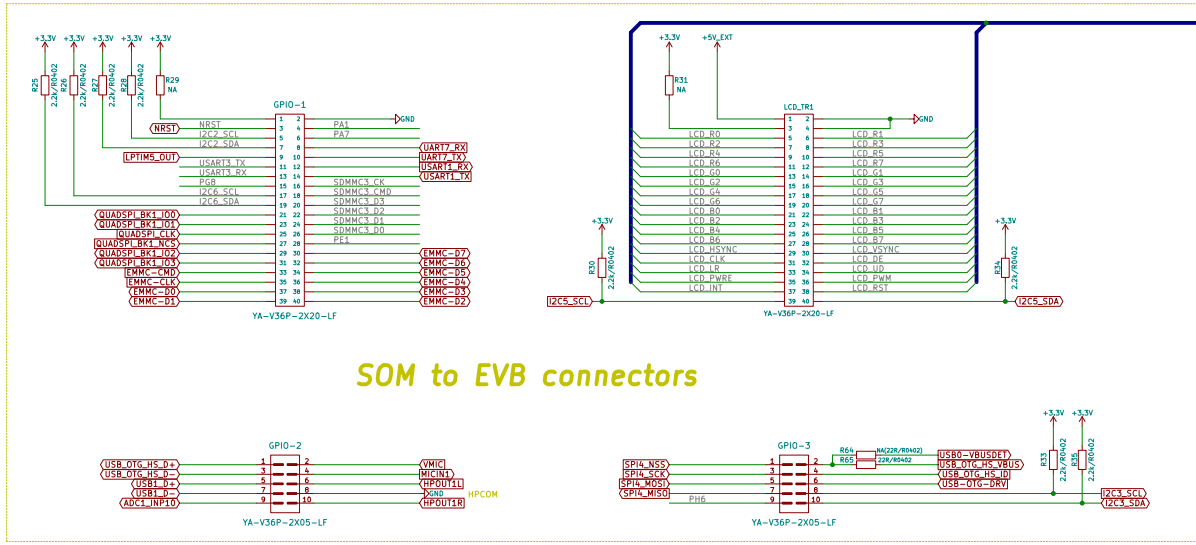
Note:

=====

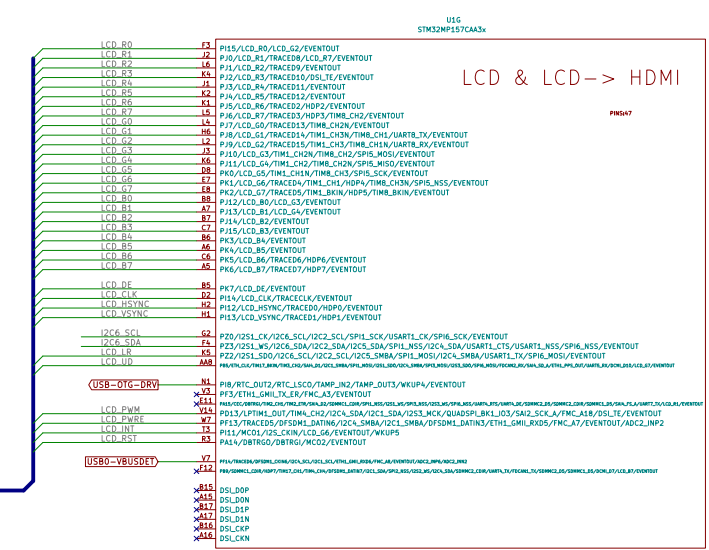
We have used a number of fully compatible, but different DDR3 memories due to supply unavailability. In such cases the memory part name in the schematic might remain outdated. It is recommended to always refer to the exact memory name printed on the component itself.

DDR3L Memory		
<c> 2021		
OLIMEX LTD, Bulgaria		
Sheet: /		
File: STMP1-SOM_Rev_C.sch		
Title: STMP1-SOM		
Size: A3	Date: 2021-01-15	Rev: C
KiCad E.D.A. kicad 5.1.6-c6e7f7d87ubuntu18.04.1		Id: 1/5

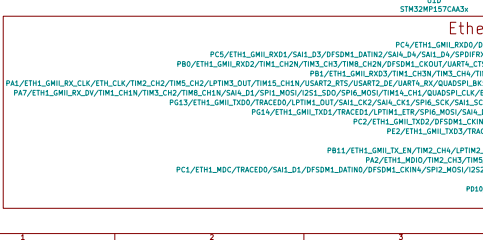
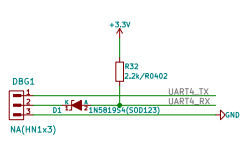




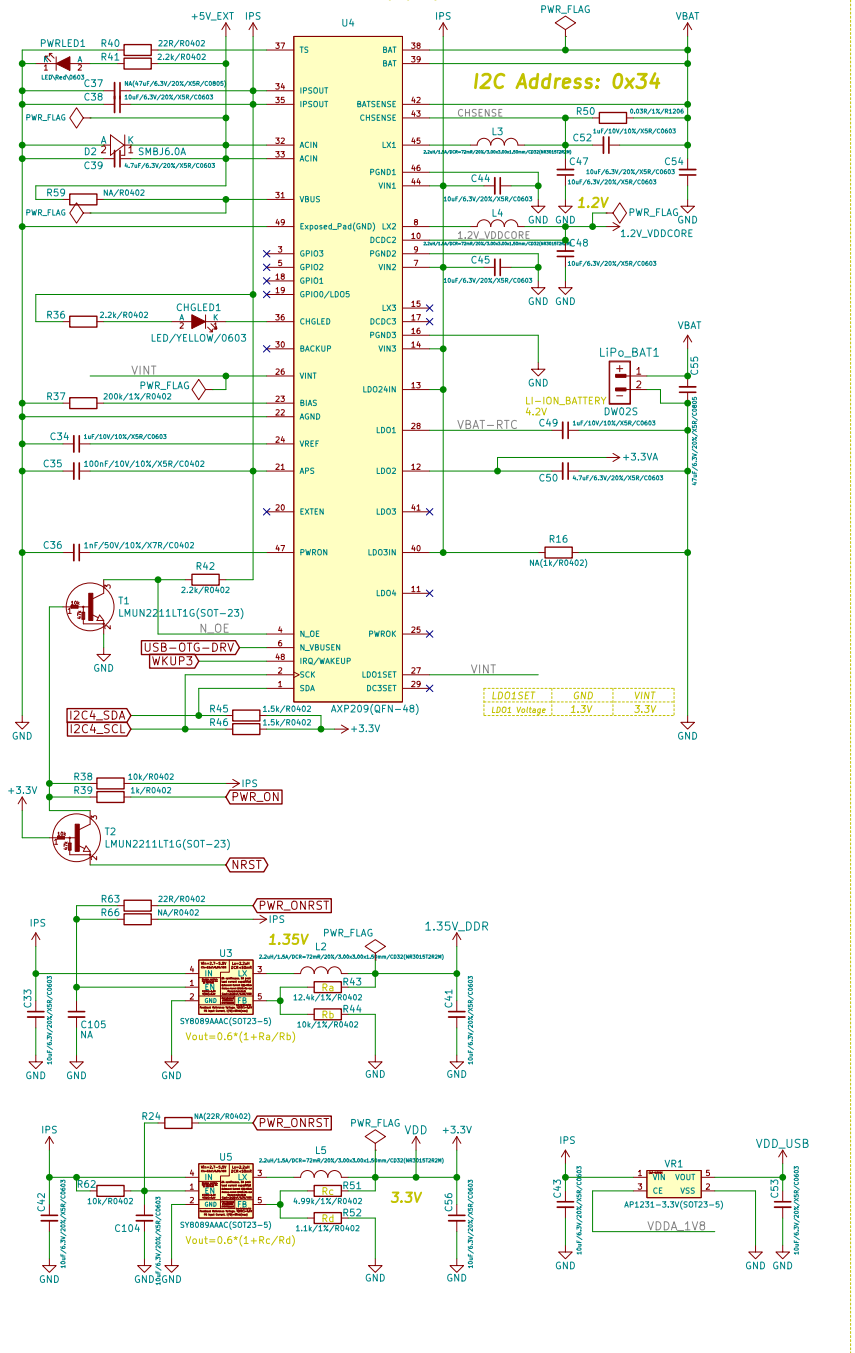
SOM to EVB connectors



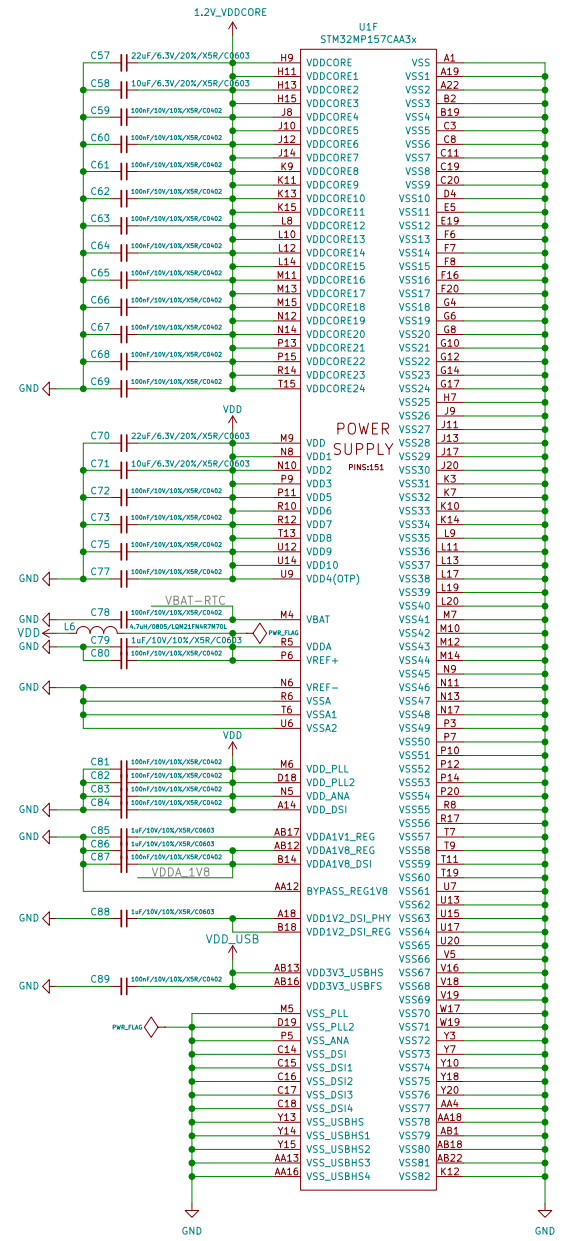
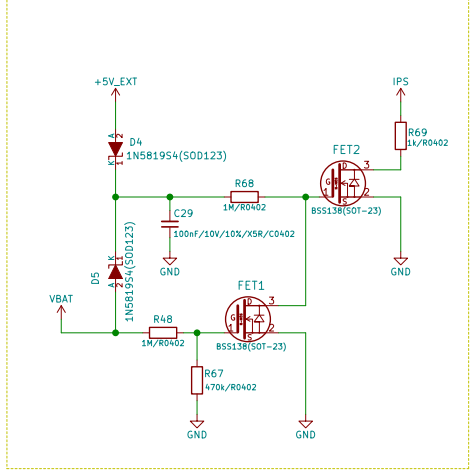
Debug UART



Power Supply



IPS Discharge Circuit

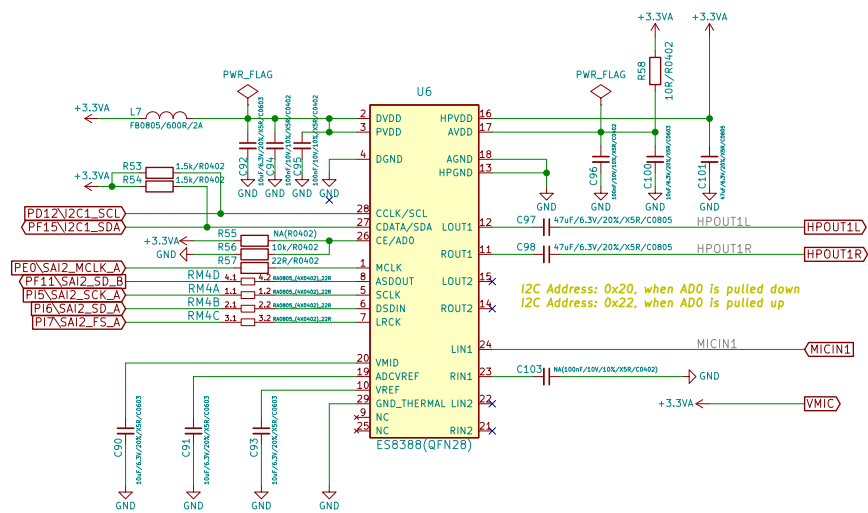


Fiducials:

- FID1 Fiducial
- FID2 Fiducial
- FID3 Fiducial
- FID4 Fiducial
- FID5 Fiducial
- FID6 Fiducial

<c> 2021
 OLIMEX LTD, Bulgaria
 Sheet: /Power_Supply/
 File: Power_Supply.sch
Title: STMP1-SOM
 Size: A3 Date: 2021-01-15 Rev: C
 KiCad E.D.A. kicad 5.1.6-c6e7f7487ubuntu18.04.1 Id: 4/5

Audio



<c> 2021

OLIMEX LTD, Bulgaria

Sheet: /Audio/

File: Audio.sch

Title: STMP1-SOM

Size: A3 Date: 2021-01-15

KiCad E.D.A. kicad 5.1.6-c6e7f7d87ubuntu18.04.1

Rev: C

Id: 5/5